

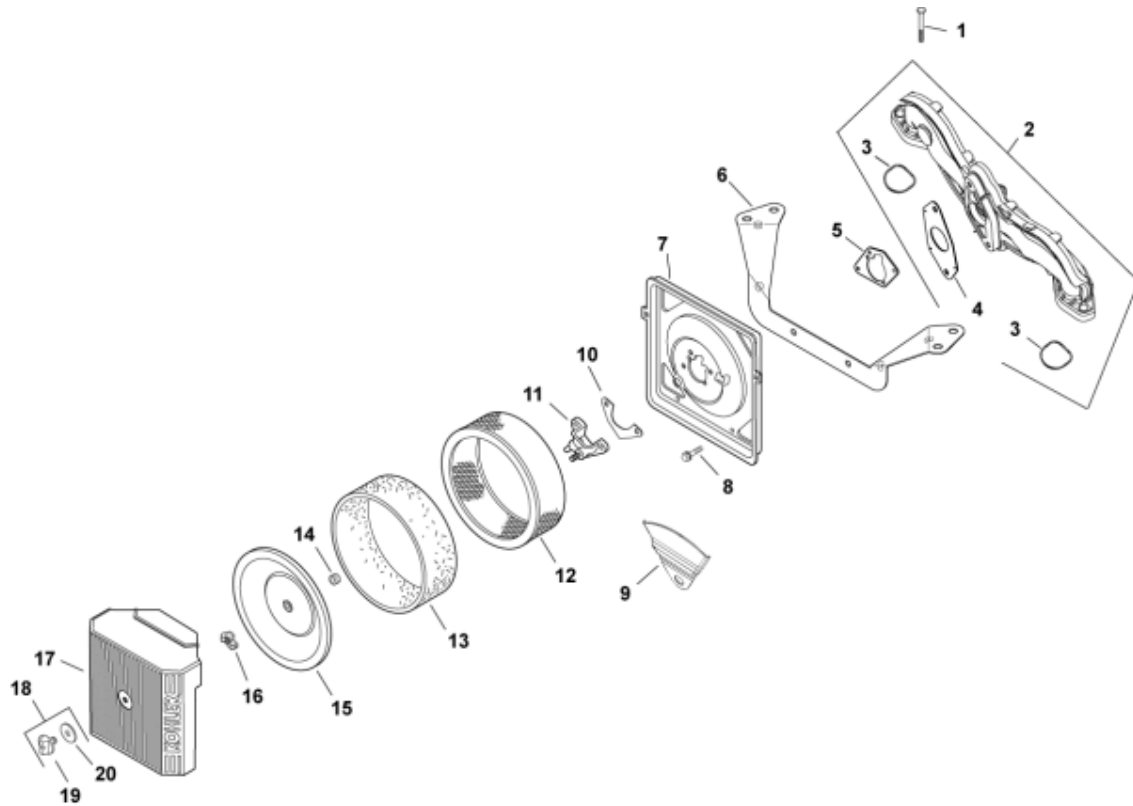
KOHLER.ENGINES

KOHLER Command PRO®

CH730S – 25 HP



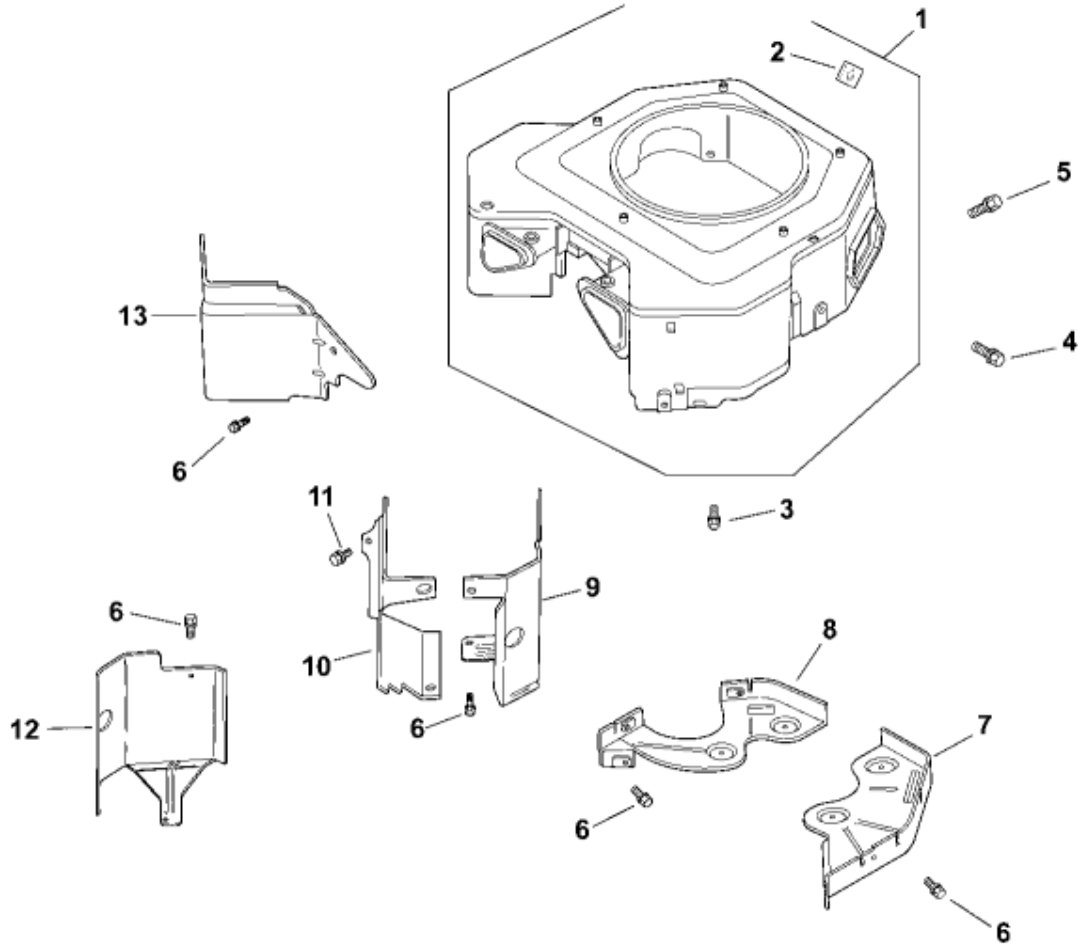
Air Intake/Filtration 10-24-152



Air Intake/Filtration 10-24-152

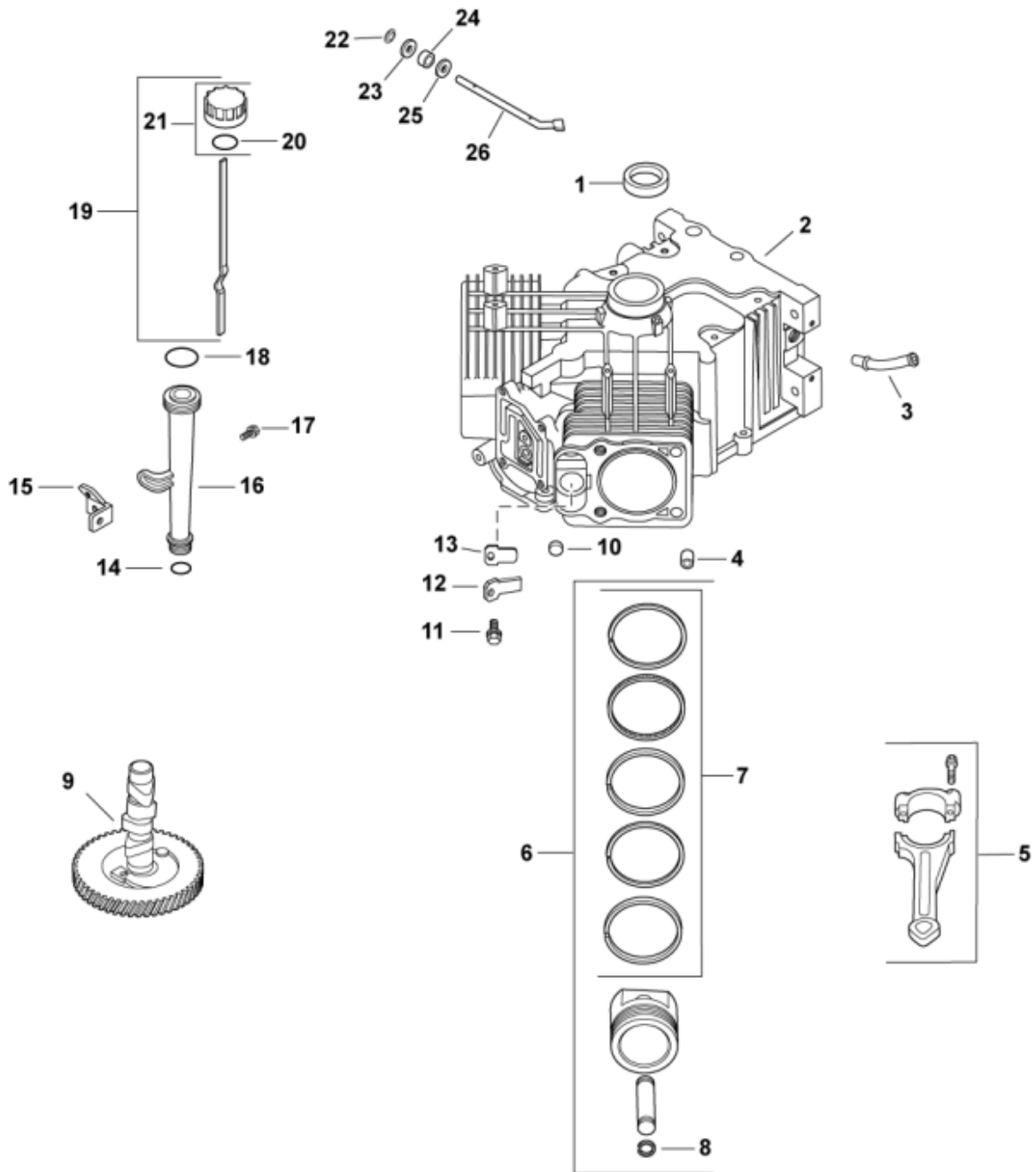
Ref #	Part	Description	Qty
1	M-651040-S	SCREW, FLG M6X1.0X40	4
2	24 164 51-S	MANIFOLD, INTAKE - PLASTIC-USE 24 164 91-S (Includes 15,16)	1
3	24 153 27-S	O-RING, INTAKE PORT	2
4	24 041 52-S	GASKET, CARBURETOR	1
5	24 041 14-S	GASKET, AIR CLEANER BASE	1
6	24 126 130-S	BRACKET, AIR CLEANER BASE	1
7	24 094 34-S	A/C BASE-USE 24 094 82-S	1
8	M-545010-S	SCREW, FLG THD FRM M5X.8X10	2
9	24 063 51-S	BAFFLE, SPIT-BACK CUP-USE 24 063 105-S	1
10	24 041 13-S	GASKET, FUEL SPITBACK CUP	1
11	24 109 29-S	CUP, FUEL SPITBACK W/O NIPPLE	1
12	24 083 03-S	ELEMENT, AIR FILTER (HIGH)	1
13	24 083 05-S	PRE-CLEANER (HIGH)	1
14	231032-S	SEAL, BREATHER	1
15	24 096 01-S	COVER, INNER AIR CLEANER	1
16	12 100 01-S	NUT, WING	1
17	24 096 67-S	A/C COVER	1
18	54 755 01-S	KIT, KNOB W/SEAL includes 19,20	1
19	25 341 04-S	KNOB, COVER	1
20	24 153 20-S	O-RING	1

BlowerHousing&Baffles 6-24-351



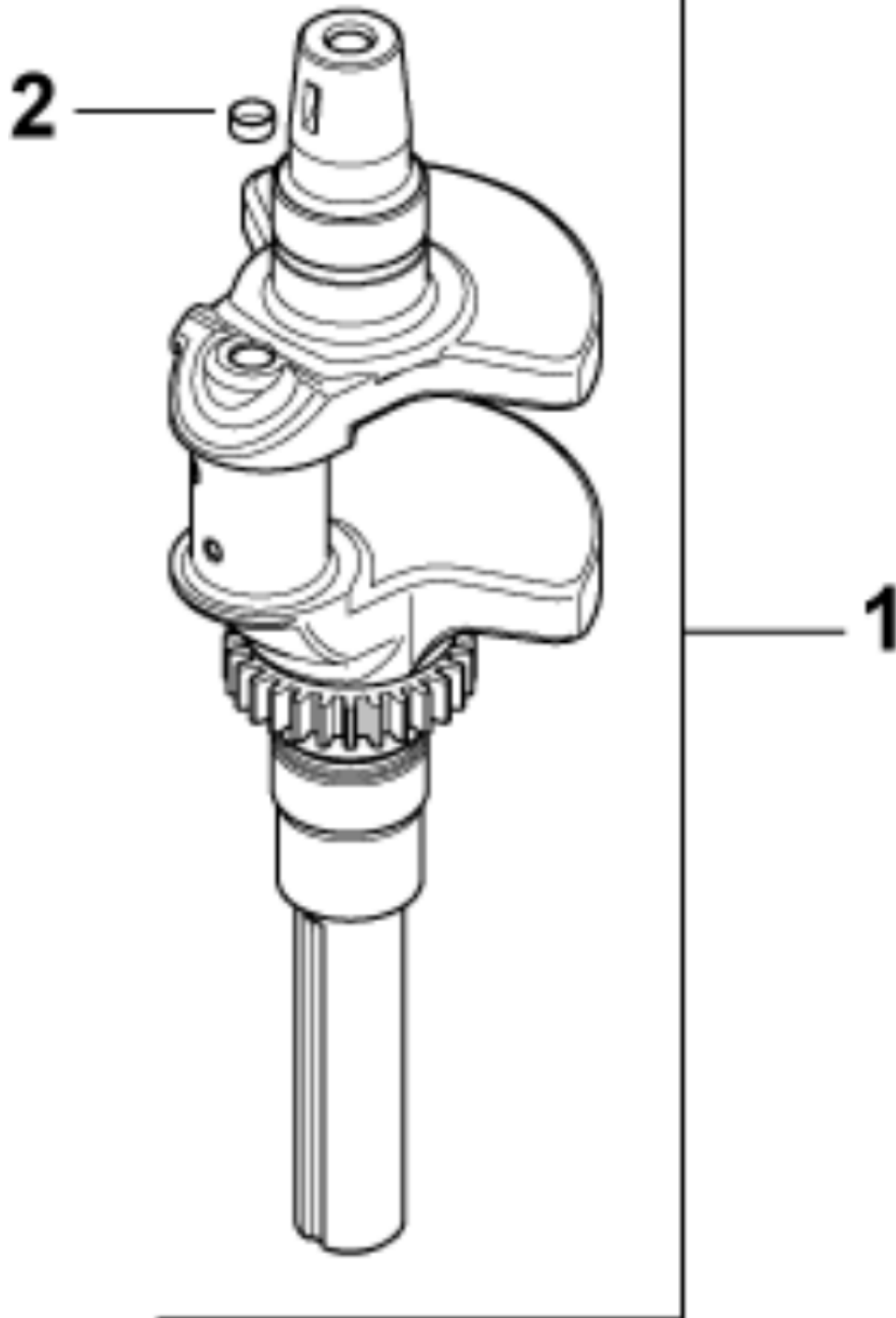
BlowerHousing&Baffles 6-24-351

Ref #	Part	Description	Qty
1	24 027 114-S	KIT, BLWR HOUSING (Includes 2, 24 096 85-S, & 25 086 91-S)	1
2	24 100 01-S	NUT, PLASTIC (KM)-USE 25 100 37-S	2
3	M-545020-S	SCREW, FLG THD FRM M5X.8X20 USE 25 086 399-S	4
4	M-545016-S	SCREW, FLG THD FRM M5X0.8X16-(#25086426S)	3
5	M-551016-S	SCREW, HVY FLG M5X.8X16	1
6	M-645016-S	SCREW, FLG THD FRM M6X1.0X16-(#25086397S)	6
7	24 146 16-S	PLATE, BACKING - #2 SIDE-DISC.	1
8	24 146 20-S	PLATE, BACKING - DISC.	1
9	24 063 39-S	BAFFLE, VALLEY #2 SIDE (KM)-USE 24 063 88-S	1
10	24 063 60-S	BAFFLE, VALLEY (CV)-USE 24 063 93-S	1
11	M-545010-S	SCREW, FLG THD FRM M5X.8X10	2
12	24 063 58-S	BAFFLE, RIGHT BARREL-USE 24 063 85-S	1
13	24 063 14-S	BAFFLE, VALLEY #2 SIDE-USE 24 063 94-S	1
	24 096 85-S	COVER, BLWR HOUSING-USE 24 096 119-S NOT ILLUSTRATED	1
	25 086 91-S	SCREW, WSH HD TAP #8-18X1/2" NOT ILLUSTRATED	2



CrankcaseGroup 2-24-290

Ref #	Part	Description	Qty
1	24 032 19-S	OIL SEAL (HELIX LIP)	1
2		CRANKCASE (USE: SHORTBLOCK OR MINI BLOCK)	1
3	24 294 13-S	FITTING	1
4	24 380 16-S	PIN, LOCATING	6
5	24 067 28-S	ROD, ASSY CONNECTING (STD)-(#2406730S)	2
	24 067 29-S	ROD, ASSY CONNECTING-USE 24 067 31-S	2
6	25 874 01-S	KIT,PISTON W/RNG SET (STD) 83mm	2
	25 874 02-S	KIT,PISTON W/RING (0.08) 83mm	1
	25 874 03-S	KIT,PISTON W/RING (0.25) 83mm USE 25 874 08-S	1
	25 874 04-S	KIT,PISTON W/RING (0.50) 83mm	1
7	24 108 14-S	RING SET (STD)	1
	24 108 15-S	RING SET (.08)	1
	24 108 16-S	RING SET (.25)	1
	24 108 17-S	RING SET (.50)	1
8	24 018 01-S	RETAINER, PISTON PIN	4
9	24 012 16-S	KIT, CAMSHAFT	1
10	52 139 09-S	PLUG, CUP	1
11	M-545010-S	SCREW, FLG THD FRM M5X.8X10	2
12	24 018 04-S	RETAINER, BREATHER REED	2
13	24 402 05-S	REED, BREATHER	2
14	12 153 01-S	O-RING, LOWER OIL FILL TUBE	1
15	24 126 19-S	BRACKET, OIL FILL TUBE	1
16	25 123 07-S	TUBE ASSY	1
17	M-545016-S	SCREW,FLG THD FRM M5X0.8X16-(#25086426S)	1
18	12 153 02-S	O-RING, UPPER OIL FILL TUBE	1
19	24 038 04-S	DIPSTICK, ASSY	1
20	25 153 02-S	O-RING, DIPSTICK	1
21	24 755 46-S	KIT, OIL FILL CAP (YELLOW)	1
22	24 018 09-S	RETAINER, RING	1
23	M-931010-S	WASHER, FLAT 9 MM	1
24	28 032 09-S	SEAL, GOVERNOR CROSS SHAFT	1
25	24 468 15-S	WASHER, FLAT 11/32"	1
26	24 144 38-S	SHAFT, GOVERNOR CROSS	1

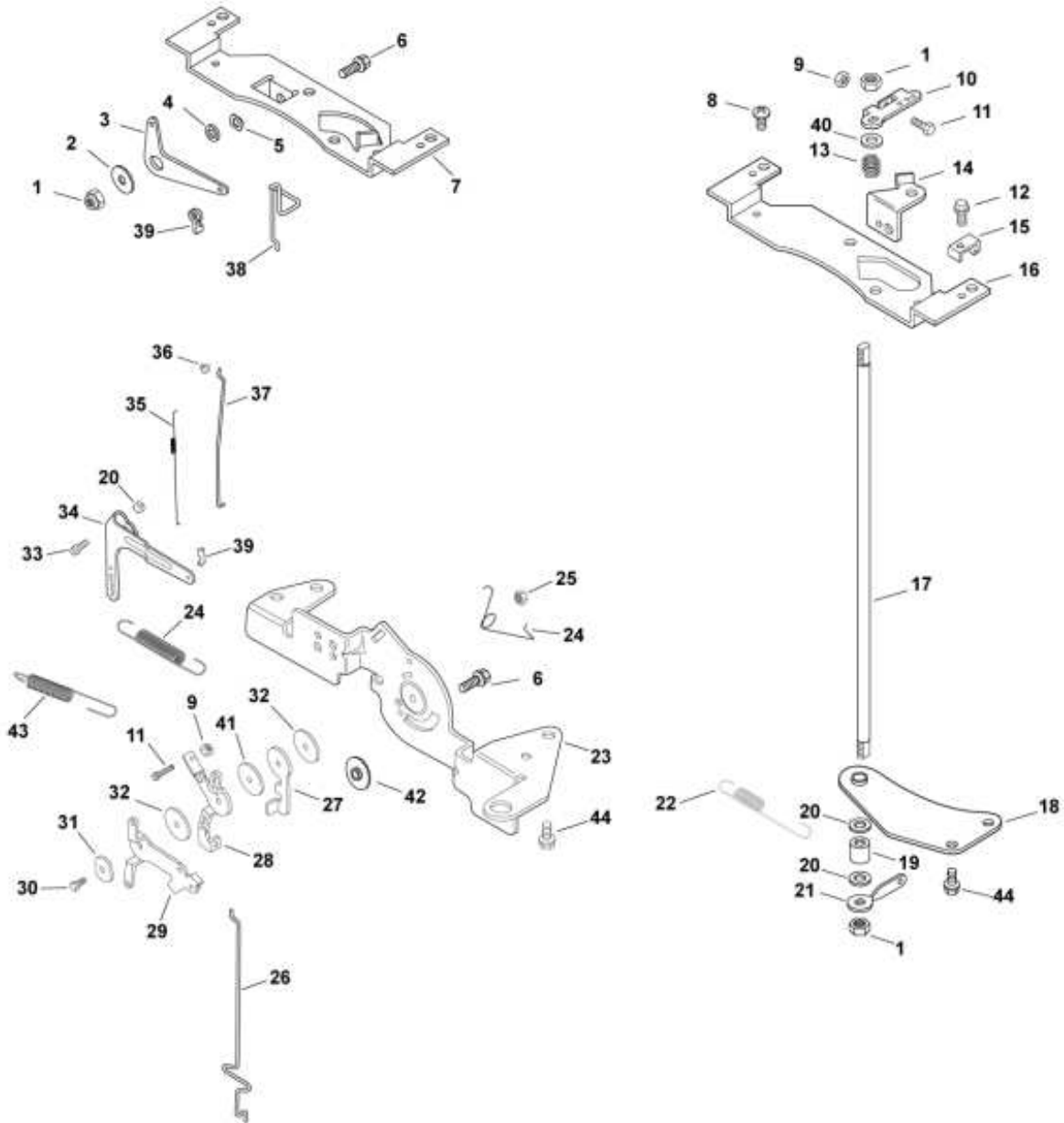


Crankshaft 1-24-18

Ref #	Part	Description	Qty
1	24 014 364-S	CRANKSHAFT, NON-THRUST STYLE (includes 2)	1
2	52 139 09-S	PLUG, CUP	1

ENGINES CONTROLS GROUP

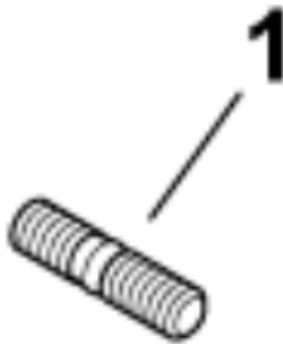
**CV18,CV20,CV22,CV23,CV25,CV620,CV624,CV640,
CV670,CV675,CV680,CV724,CV725,CV730,CV740,CV745,CV750**



ILLUSTRATIONS ARE REPRESENTATIVE AND ARE NOT INTENDED TO SHOW ALL DETAILS FOR EACH COMPONENT

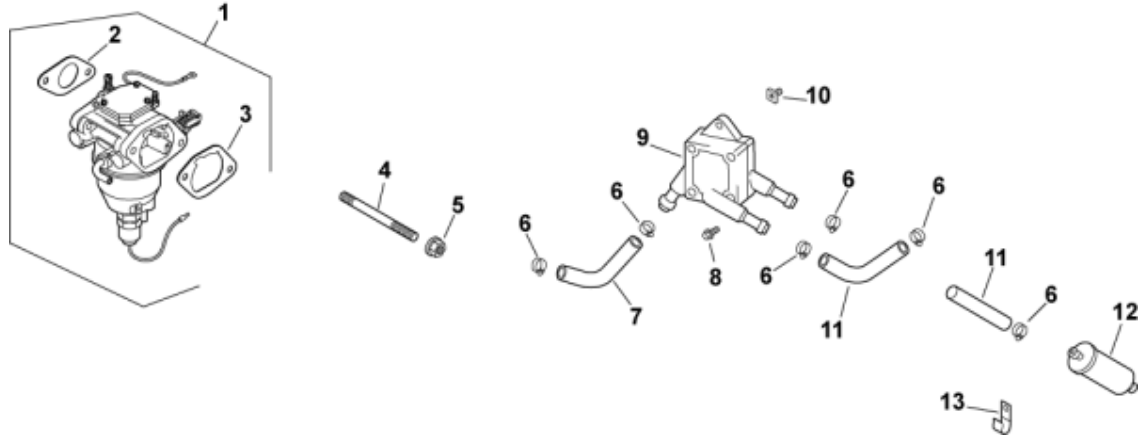
EngineControls 9-24-396

Ref #	Part	Description	Qty
9	M-446030-S	NUT, M4X0.7	1
11	M-403025-S	SCREW, SLT HD CAP M4X0.7X25	1
12	M-545016-S	SCREW, FLG THD FRM M5X0.8X16- (#25086426S)	1
12	24 086 43-S	SCREW, LBD THD FRM M5x0.8x16	1
15	47 237 02-S	CLAMP, DUAL CONDUIT	1
20	M-641060-S	NUT, FLG M6X1.0	1
22	24 089 25-S	SPRING, GOVERNOR (ORANGE)	1
23	24 126 161-S	BRACKET, CONTROL-USE 24 126 172-S	1
24	24 089 03-S	SPRING, CHOKE RETURN	1
25	M-547050-S	NUT, LOCK M5X.8	1
26	24 079 22-S	LINKAGE, CHOKE	1
27	24 090 47-S	LEVER, THROTTLE ACTUATOR	1
28	24 090 13-S	LEVER, THROTTLE CONTROL	1
29	24 090 05-S	LEVER, CHOKE	1
30	M-545020-S	SCREW, FLG THD FRM M5X.8X20 USE 25 086 399-S	1
31	41 468 03-S	WASHER, SPRING 1/4"	1
32	24 468 01-S	WASHER, FLAT 5.5 MM	1
33	24 211 03-S	BOLT, RD HD SQ NECK M6X1.0X25	1
34	24 090 33-S	LEVER, GOVERNOR-USE 24 090 57-S	1
35	24 089 01-S	SPRING, LINKAGE	1
36	25 158 08-S	BUSHING, LINKAGE RETAINING	1
37	24 079 04-S	LINKAGE, THROTTLE	1
39	25 158 11-S	BUSHING, THROTTLE LINKAGE	2
40	X-25-72-S	WASHER, FLAT 1/4"	1
41	24 468 20-S	WASHER, FLAT 5 MM	1
42	24 112 27-S	SPACER, CONTROL ASSY	1
43	24 089 55-S	SPRING, GOVERNED IDLE	1
44	M-645016-S	SCREW, FLG THD FRM M6X1.0X16- (#25086397S)	4



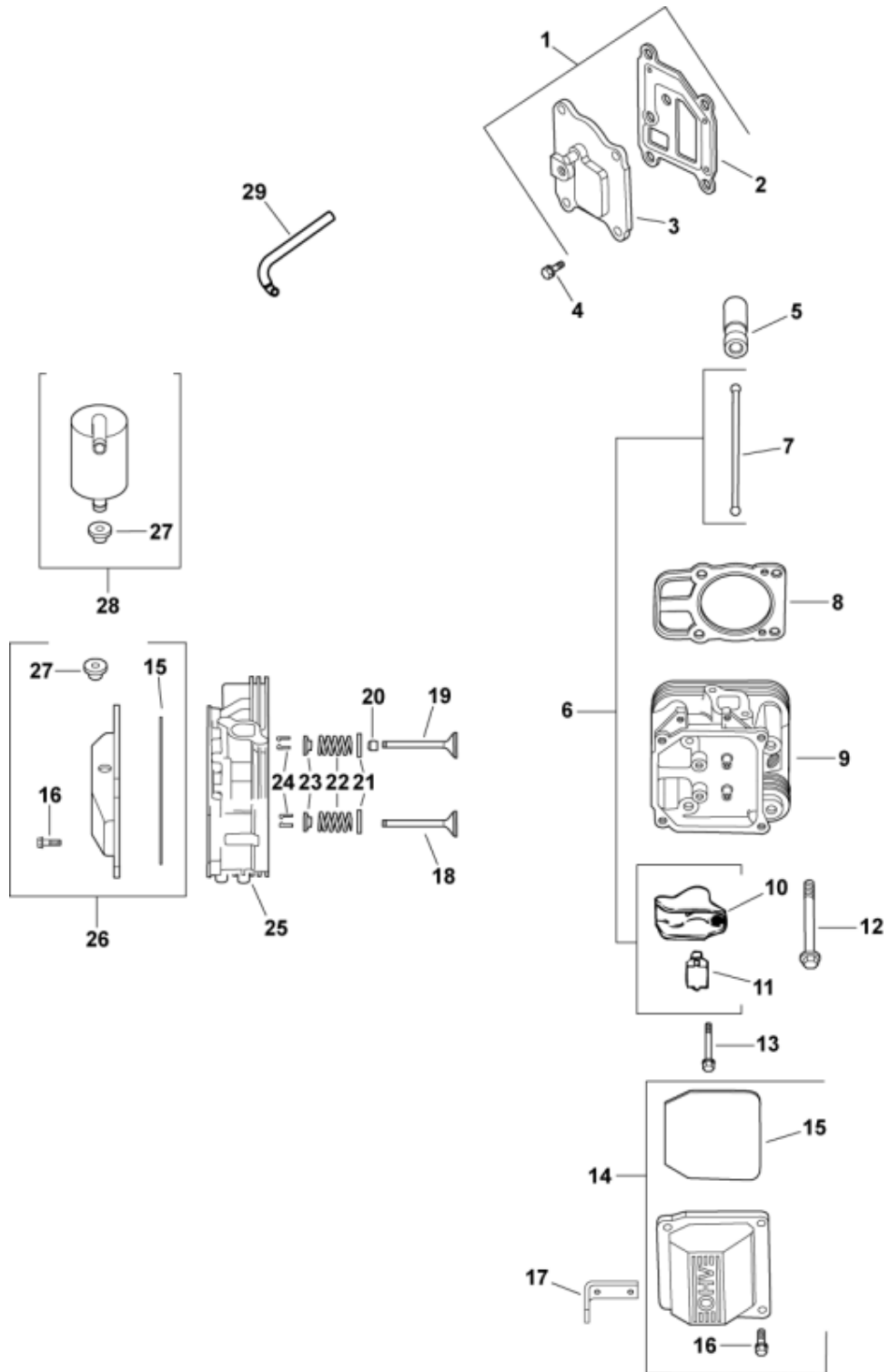
Ref #	Part	Description	Qty
1	25 072 04-S	STUD, EXHAUST (KM)-USE 25 072 24-S	4

Fuel System 8-24-593



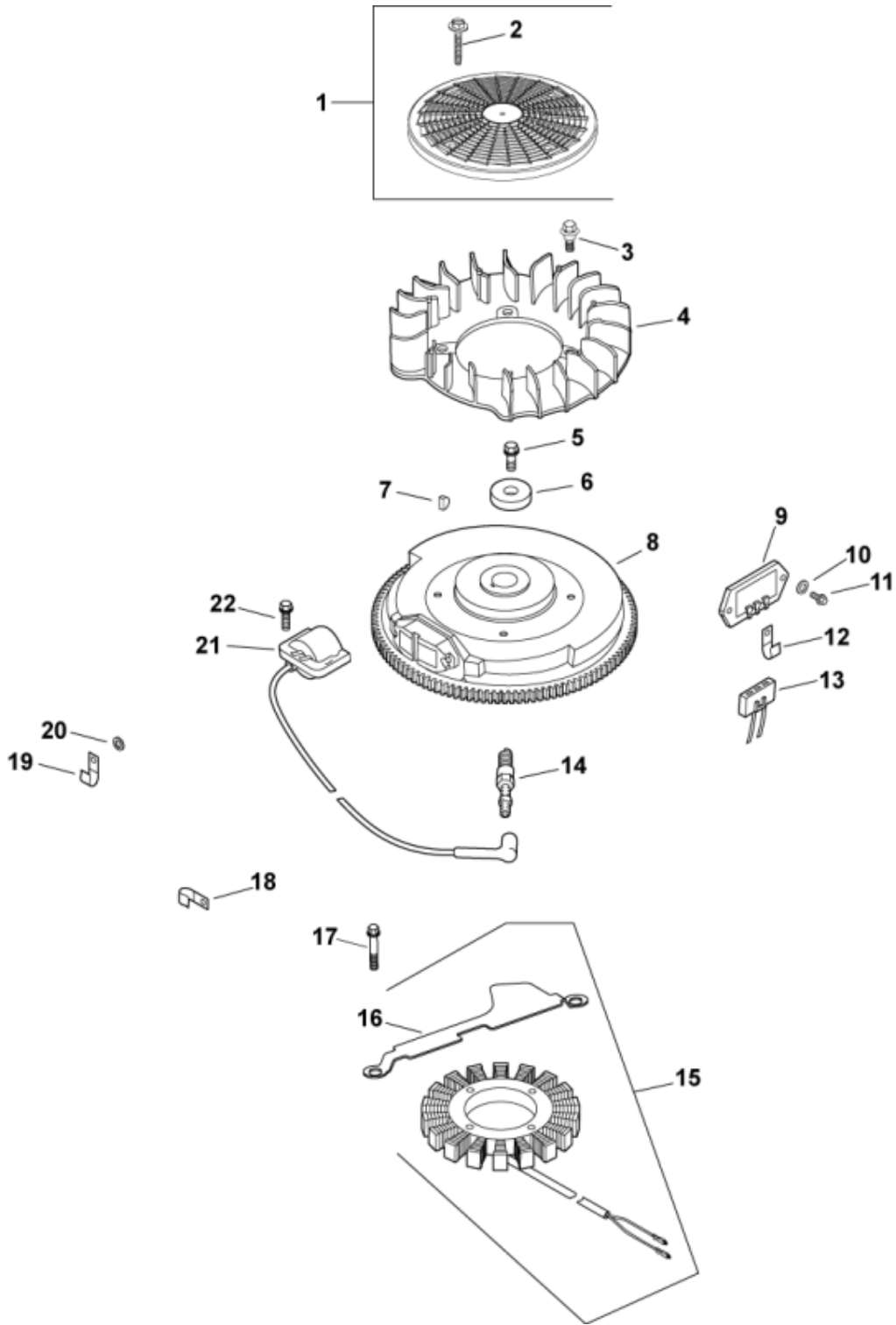
Fuel System 8-24-593

Ref #	Part	Description	Qty
1	24 853 102-S	KIT,CARB (W/REDUCD VOL ACC PUMP) includes 2,3, 24 153 05-s	1
2	24 041 52-S	GASKET, CARBURETOR	1
3	24 041 14-S	GASKET, AIR CLEANER BASE	1
4	M-629095-S	STUD,M6X1.0X96	2
5	M-641060-S	NUT, FLG M6X1.0	2
6	25 237 14-S	CLAMP, HOSE (KM)-USE 25 237 31-S	6
7	24 353 12-S	LINE, FUEL 11"	1
8	24 086 12-S	SCREW, TAP M6X1.7X18	2
9	24 393 16-S	PUMP, FUEL	1
10	24 100 01-S	NUT, PLASTIC (KM)-USE 25 100 37-S	2
11	25 111 34-S	HOSE,LW PERM.FUEL 24.00"-USE 25 111 81-S fuel line comes in lenghts of 24" - cut to needed length for carburetor connections	2
12	24 050 10-S	FUEL FILTER (9-12 MICRON)-USE 24 050 13-S	1
13	47 154 01-S	CLIP, CABLE	1
	24 234 02-S	BOWL, FLOAT NOT ILLUSTRATED	1
	24 431 01-S	SLEEVE,INSULATING 6.0 "-USE 24 431 02-S NOT ILLUSTRATED	1
	24 757 18-S	KIT, REPAIR OVERHAUL NOT ILLUSTRATED	1
	24 757 19-S	KIT, REPAIR SERVICE CHOKE NOT ILLUSTRATED	1
	24 757 20-S	KIT, REPAIR SERVICE GASKET NOT ILLUSTRATED	1
	24 757 22-S	KIT, REPAIR SOLENOID VALVE NOT ILLUSTRATED	1
	24 757 21-S	KIT, ACC PUMP W/GASKETS NOT ILLUSTRATED	1



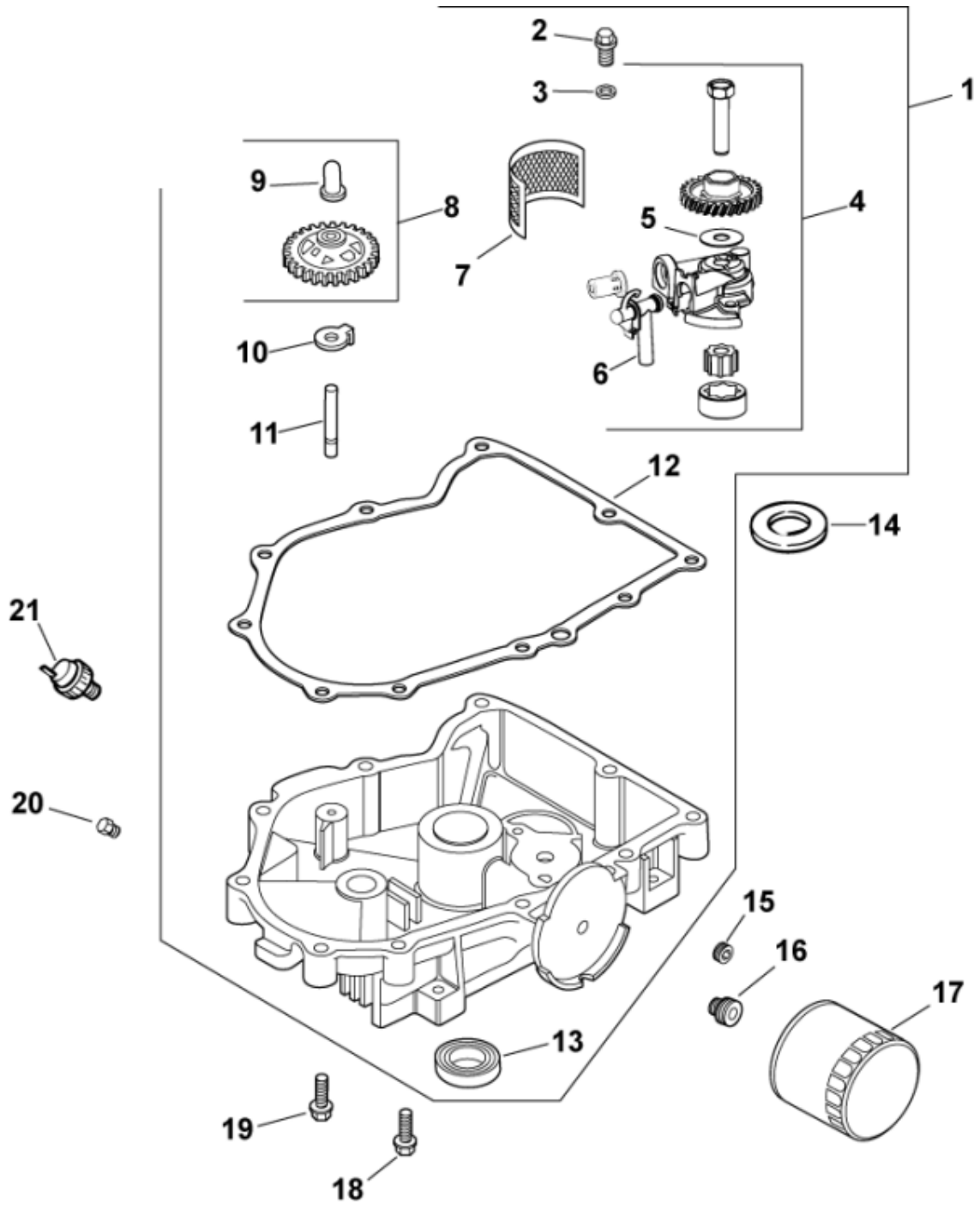
Head/Valve/Breather 4-24-326

Ref #	Part	Description	Qty
1	24 033 03-S	KIT, BREATHER COVER W/GASKET (Includes 2,3)	1
2	24 041 51-S	GASKET, BREATHER-USE 24 041 67-S	1
3	24 096 87-S	COVER, BREATHER -USE 24 096 125-S	1
4	M-645020-S	SCREW,FLG THD FRM M6X1.0X20-(#25086396S)	4
5	25 351 01-S	HYDRAULIC VALVE LIFTER-USE 25 351 10-S	4
6	24 755 66-S	KIT, VALVE TRAIN	1
7	24 411 05-S	ROD, PUSH	4
8	24 841 03-S	CYL HEAD GASKET KIT-USE 24 841 04-S	2
9	24 318 108-S	KIT, CYL HEAD #1	1
10	25 186 01-S	ARM, ROCKER	4
11	24 599 01-S	PIVOT, CYLINDRICAL ROCKER ARM-USE 24 599 02-S	4
12	12 086 16-S	SCREW - USE 62 0860 8-S	8
13	66 086 07-S	SCREW, ROCKER ARM PIVOT-USE M-640034-S	4
14	24 755 141-S	KIT, VALVE COVER-PLAIN (Includes 15,16)	1
15	24 153 28-S	O-RING (YELLOW) -USE 24 153 30-S	2
16	M-651030-S	SCREW, FLG M6X1.0X30	8
17	24 445 01-S	STRAP, LIFTING-USE 25 445 03-S	1
18	24 016 01-S	VALVE, EXHAUST (STD)	2
	24 016 02-S	VALVE, EXHAUST (.25)	2
19	24 017 01-S	VALVE, INTAKE (STD)	2
	24 017 02-S	VALVE, INTAKE (.25)	2
20	66 032 05-S	SEAL, VALVE STEM	2
21	235011-S	RETAINER, SPRING	4
22	24 089 02-S	SPRING, VALVE	4
23	12 173 01-S	RETAINER, VALVE SPRING - USE 25 173 28-S	4
24	12 755 03-S	KIT, RETAINER	8
25	24 318 116-S	KIT, CYL HEAD #2	1
26	24 755 142-S	KIT, VALVE COVER (Includes 15,16,27)	1
27	25 313 03-S	GROMMET, RUBBER	1
28	24 755 57-S	KIT, BREATHER SEPARATOR (Includes 27)	1
29	24 326 74-S	HOSE, BREATHER-USE 24 326 93-S	1
	24 755 147-S	KIT, CYL HEAD HARDWARE NOT ILLUSTRATED	2



Ignition/Electrical 5-24-812

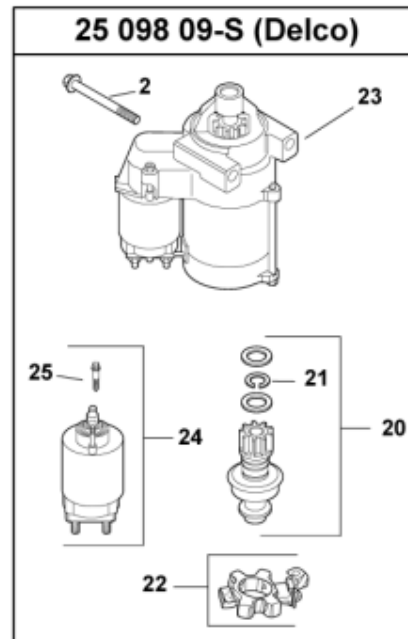
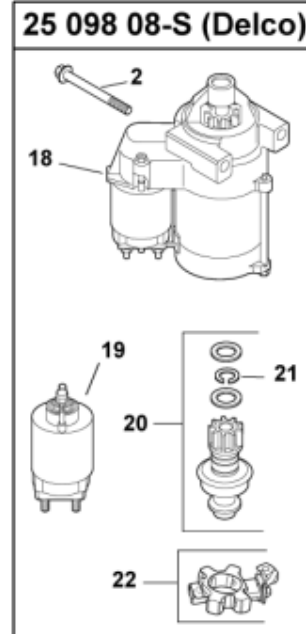
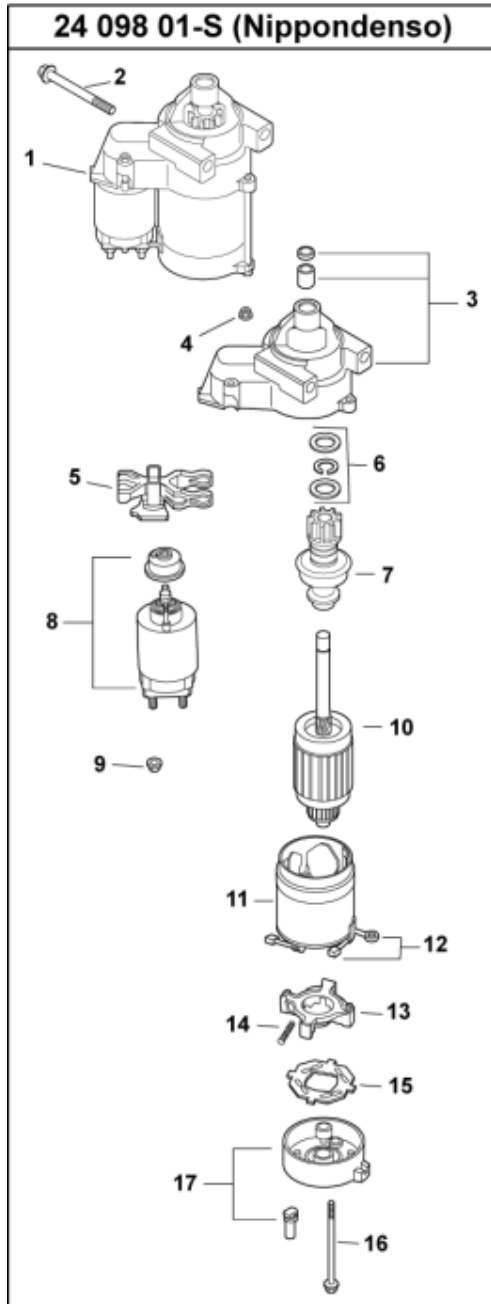
Ref #	Part	Description	Qty
1	54 755 15-S	KIT, GRASS SCREEN (Includes 2)	1
2	25 086 117-S	SCREW, FLG SEMS M4X.7X25	4
3	25 086 47-S	BOLT, SHOULDER	4
4	24 157 08-S	FAN (DOMED)-USE 24 157 17-S	1
5	12 086 14-S	SCREW, FLG M10X1.5X45 - (#25086361S)	1
6	12 468 03-S	WASHER, FLAT 13/32"	1
7	X-42-15-S	KEY, 3/16" X 5/8"	1
8	24 025 48-S	FLYWHEEL, PAINTED-USE 24 025 59-S	1
9	41 403 09-S	REGULATOR/RECT-15 AMP (KM)-USE 41 403 10-S	1
10	X-25-92-S	WASHER, FLAT 3/16"	2
11	24 086 18-S	SCREW, PHL HD #11-16X7/8"	2
12	47 154 01-S	CLIP, CABLE	1
13	236602-S	CONNECTOR, BODY (KM)-USE 25 155 41-S	1
14	28 132 02-S	SPARK PLUG	2
15	54 755 09-S	STATOR KIT - USE 237878-S (Includes 16)	1
16	24 126 139-S	BRACKET, STATOR WIRE	1
17	M-548025-S	SCREW, THD FRM M5X0.8X25	4
18	48 154 02-S	CLIP	1
19	235173-S	CLIP, CABLE	1
20	X-25-63-S	WASHER, FLAT 1/4" (O.D. 1/2")	1
21	24 584 01-S	MODULE, IGNITION-USE 24 584 45-S	2
22	M-545020-S	SCREW, FLG THD FRM M5X.8X20 USE 25 086 399-S	4
	24 126 137-S	BRACKET, GROUND STRAP NOT ILLUSTRATED	1
	25 468 07-S	WASHER, FLAT 7/32" NOT ILLUSTRATED	1
	24 176 82-S	WIRING HARNESS NOT ILLUSTRATED	1
	25 454 03-S	TIE, WIRE NOT ILLUSTRATED	3
	25 113 24-S	LABEL, (ROUND KOHLER GOLD)-USE 24 113 18-S	1



Oil Pan/Lubrication 3-24-577

Ref #	Part	Description	Qty
1	24 199 21-S	KIT, OIL PAN ASSY (Includes 2-13)	1
2	M-645025-S	SCREW, FLG THD FRM M6X1.0X25	2
3	M-631005-S	WASHER, FLAT 6 MM	2
4	24 393 37-S	OIL PUMP ASSY KIT-USE 24 393 53-S (Includes 5,6)	1
5	24 153 01-S	O-RING, OIL PICK-UP	1
6	24 381 11-S	KIT, OIL PICK-UP TUBE	1
7	24 162 26-S	SCREEN, OIL	1
8	24 043 12-S	KIT, GOVERNOR GEAR W/PIN (Includes 9)	1
9	12 380 01-S	PIN, GOVERNOR REGULATING	1
10	24 448 02-S	TAB, LOCKING	1
11	12 144 02-S	SHAFT, GOVERNOR GEAR	1
12	24 041 54-S	KIT,OIL PAN GSKT(SELECT-A-SEAL)	1
13	52 032 08-S	OIL SEAL (KM)-USE 25 032 06-S	1
14	24 422 03-S	SHIM, THRUST (GREEN .875MM)	1
15	25 139 62-S	PLUG, PIPE CTSK 3/8"	1
16	24 136 01-S	NIPPLE, OIL FILTER	1
17	52 050 02-S	OIL FILTER	1
18	24 086 16-S	SCREW, HEX FLANGE -USE 24 086 17-S	9
19	24 086 17-S	SCREW, FLG M8X1.25X45	1
20	25 139 57-S	PLUG, SQ HD PIPE 3/8"	1
21	25 099 24-S	SWITCH, PRESSURE (CLOSED)-USE 25 099 27-S	1

Service starter components according to the part number printed on the starter. Starter components are NOT interchangeable. To replace complete Starter Assembly, Order Part Number 25 098 09-S.



StartingGroup 7-24-12

Ref #	Part	Description	Qty
1	24 098 01-S	STARTER USE 25 098 09-S	1
2	M-839080-S	SCREW - USE M-851080-S	2
3	24 081 04-S	DRIVE, END CAP	1
4	52 100 09-S	NUT	1
5	12 090 10-S	LEVER, DRIVE	1
6	24 755 84-S	KIT, STARTER REPAIR	1
7	12 239 01-S	DRIVE PINION	1
8	52 435 02-S	SOLENOID	1
9	52 100 10-S	NUT	2
10	12 170 04-S	ARMATURE	1
11	12 471 01-S	FRAME W/BRUSHES - DISC.	1
12	52 323 03-S	BRUSH HOLDER	1
13	52 221 01-S	BRUSH & SPRING KIT	1
14	52 089 09-S	SPRING, BRUSH	1
15	52 168 01-S	INSULATOR	1
16	52 211 05-S	THRU BOLT	2
17	24 301 01-S	COMMUTATOR, END CAP	1
18	25 098 08-S	STARTER, SOLENOID SHIFT-USE 25 098 11-S	1
19	25 435 04-S	SOLENOID	1
20	25 755 33-S	KIT, STARTER PINION (includes 21)	1
21	25 141 05-S	RING, RETAINING	1
22	25 221 01-S	KIT, BRUSH HOLDER	1
23	25 098 09-S	STARTER, SOLENOID SHIFT-USE 25 098 11-S	1
24	25 435 06-S	KIT, SOLENOID (includes 25)	1
25	25 086 113-S	SCREW, EXTERNAL TORX HEAD	3