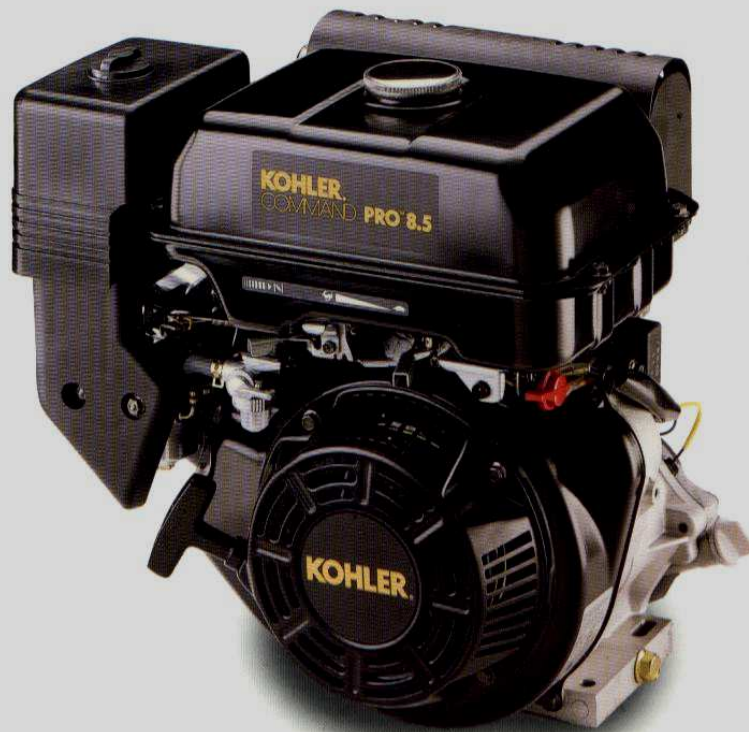


KOHLER.ENGINES

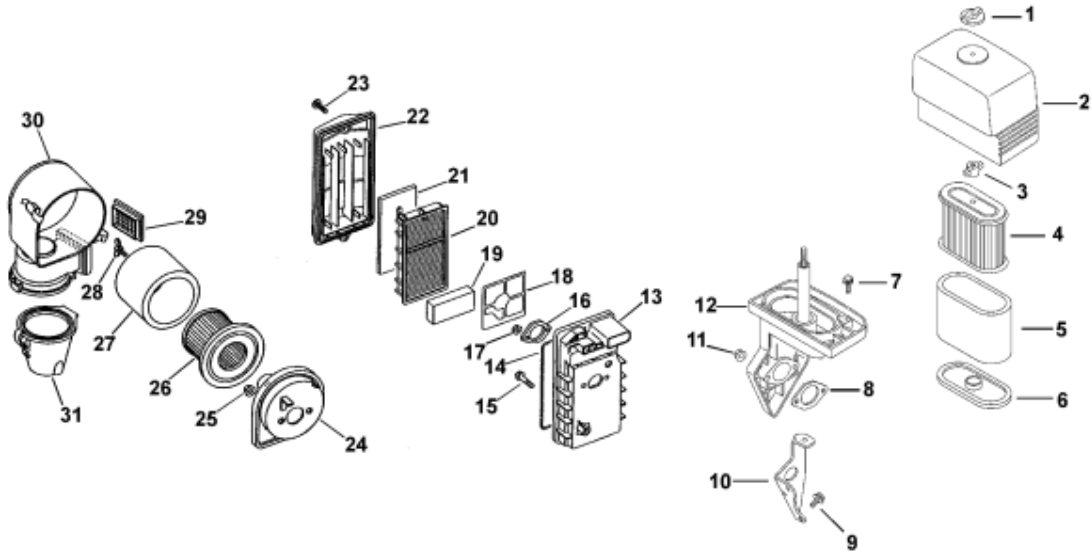
COMMAND PRO CS

CS 8.5T –8.5 HP



KOHLER Command PRO CS 8.5 HP engine

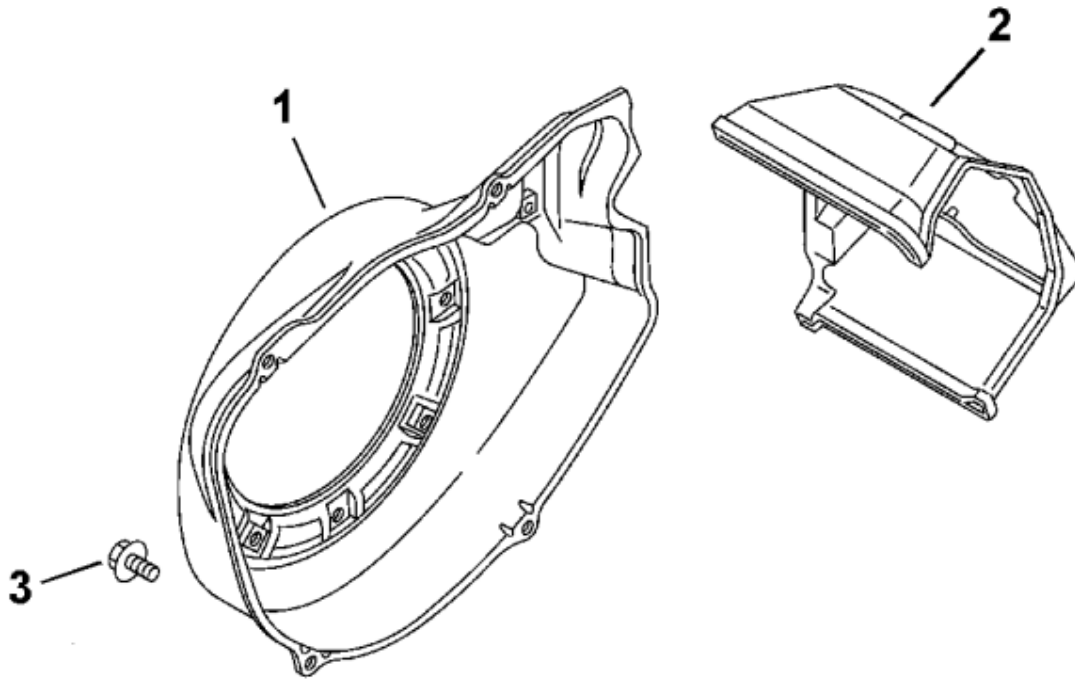
Air Intake/Filtration



Air Intake/Filtration

Ref #	Part	Description	Qty
1	63 100 19-S	Knob, air cleanercover	1
2	63 096 14-S	Cover, air cleaner	1
3	63 100 21-S	Nut, wing - air cleaner	1
4	63 083 11-S	Element, air cleaner	1
5	63 083 12-S	Element, precleaner	1
6	63 032 18-S	Seal, air cleaner	1
7	63 086 20-S	Screw, flange	1
8	63 041 39-S	Gasket, air cleaner	1
9	63 086 35-S	Screw, hex. flange	2
10	63 126 12-S	Bracket, air cleaner	1
11	63 100 15-S	Nut, air cleaner	2
12	63 094 07-S	Base, air cleaner	1
	63 113 03-S	Decal, air cleaner NOT ILLUSTRATED.	1

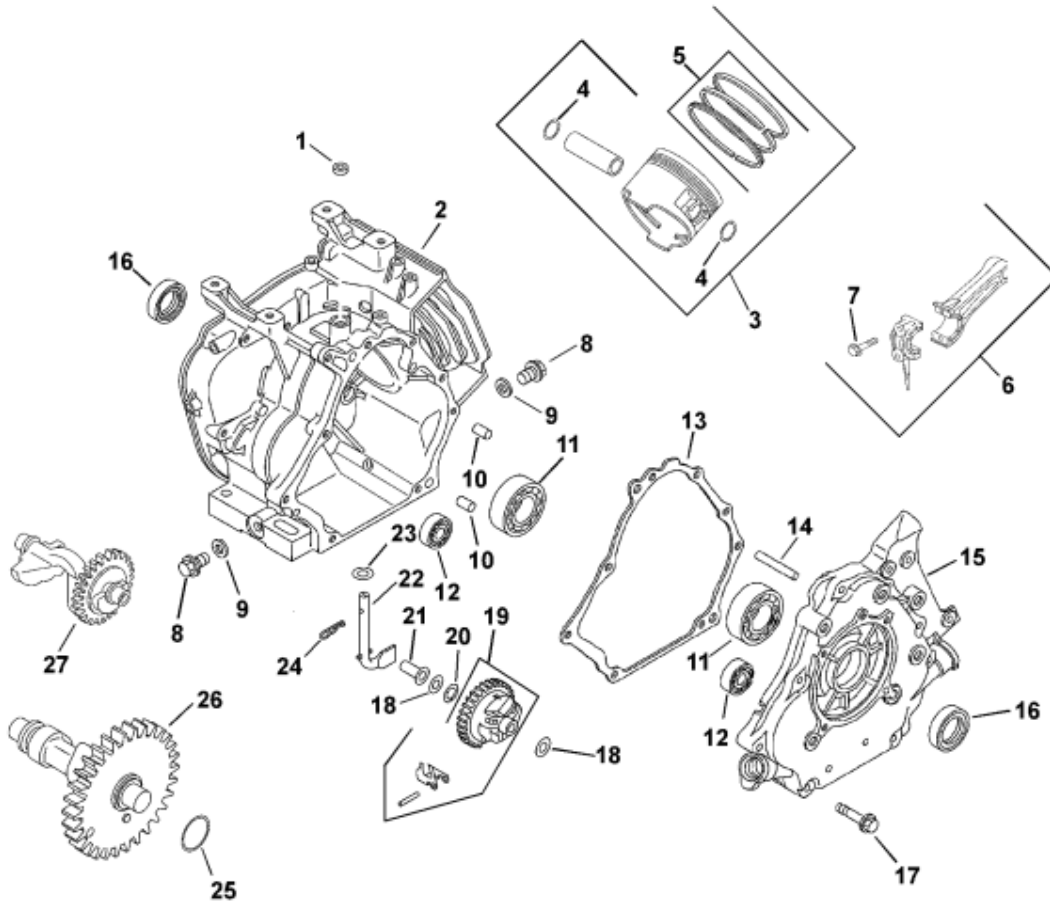
BlowerHousing&Baffles



BlowerHousing&Baffles

Ref #	Part	Description	Qty
1	63 027 04-S	Housing, blower	1
2	63 063 03-S	Baffle, cylinder	1
3	63 086 14-S	Screw	4
	63 113 13-S	Decal, 8.5 HP NOT ILLUSTRATED.	1

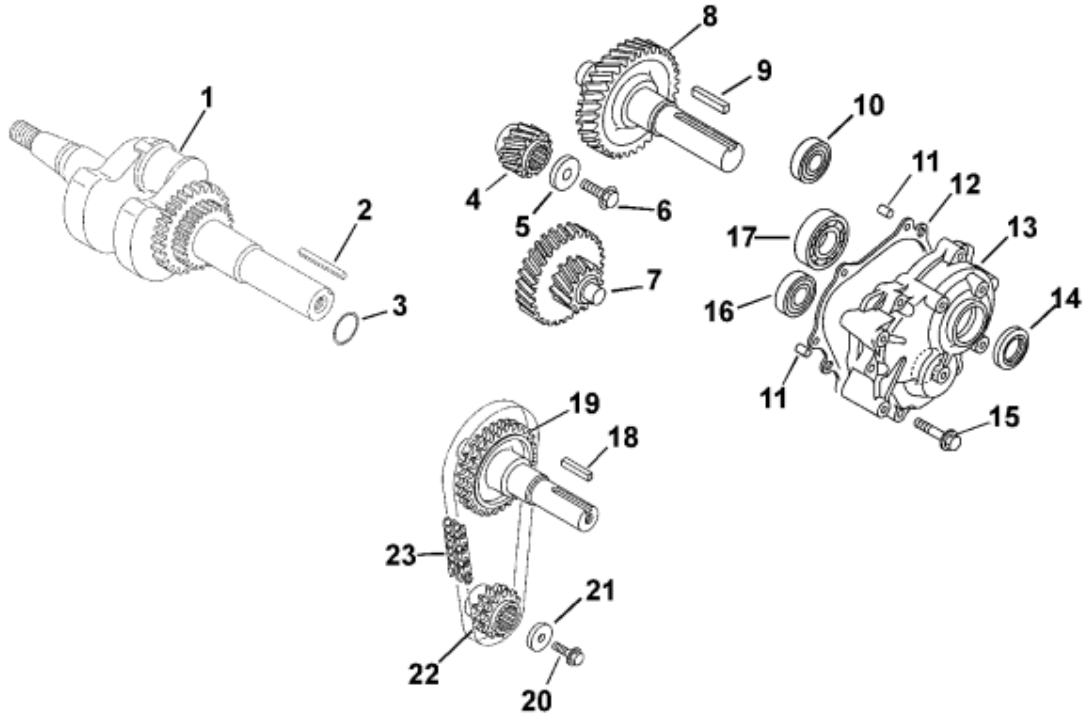
Crankcase 2-7-21



Crankcase 2-7-21

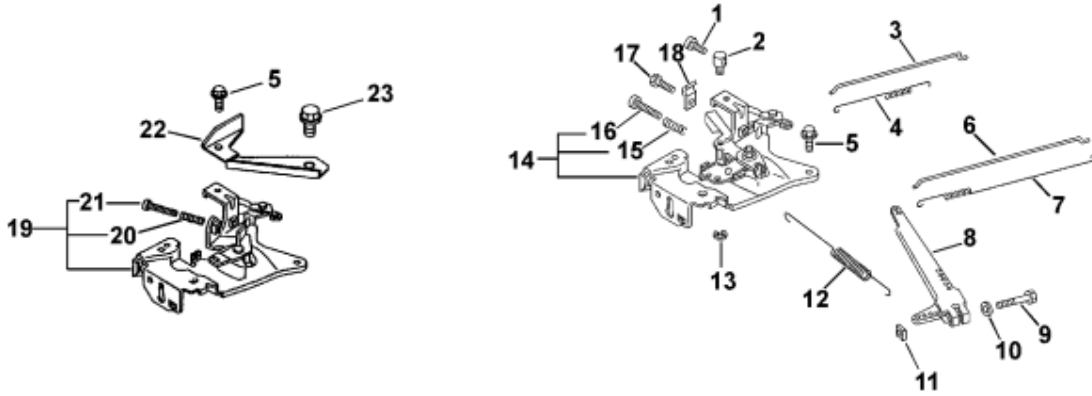
Ref #	Part	Description	Qty
1	63 032 03-S	Seal, oil	1
2	63 561 14-S	Crankcase	1
3	63 874 15-S	Piston w/Ring Set Std.; Includes 4,5	1
3	63 874 14-S	Piston w/Ring Set .25	1
3	63 874 13-S	Piston w/Ring Set .50	1
4	63 018 04-S	Ring, retainer	2
5	63 108 15-S	Ring Set Std.	1
5	63 108 14-S	Ring Set .25	1
5	63 108 13-S	Ring Set .50	1
6	63 067 03-S	Rod, connecting Std.; Includes 7	1
7	63 211 03-S	Bolt, connectingrod	2
8	63 139 01-S	Plug, drain	2
9	63 041 01-S	Gasket, plug	2
10	63 380 13-S	Pin, locating	2
11	63 030 04-S	Bearing	2
12	63 030 02-S	Bearing	2
13	63 041 34-S	Gasket, closureplate	1
14	63 144 13-S	Shaft, governor	1
15	63 009 09-S	Plate, closure	1
16	63 032 05-S	Seal, oil	2
17	63 086 60-S	Screw, flange	8
18	63 468 01-S	Washer	2
19	63 043 08-S	Gearassembly, governor	1
20	63 018 01-S	Ring, snap	1
21	63 241 01-S	Collar	1
22	63 144 01-S	Shaft, governorcross	1
23	63 468 03-S	Washer	1
24	63 154 01-S	Clip	1
25	63 422 08-S	Shim, crankshaft	1
26	63 012 03-S	Camshaft	1
27	63 144 14-S	Shaft, balance	1

Crankshaft 1-7-12

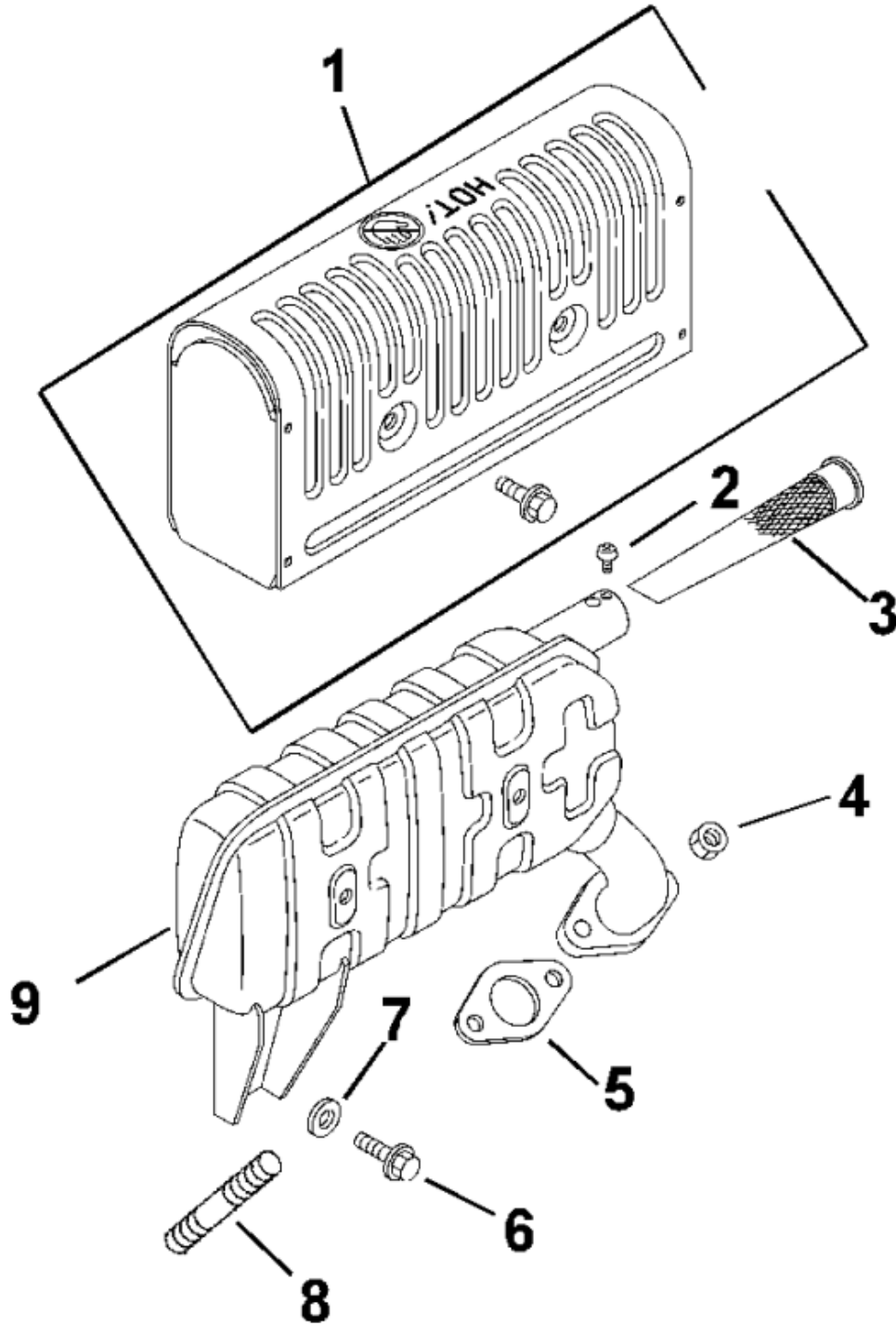


Crankshaft 1-7-12

Ref #	Part	Description	Qty
1	63 014 12-S	Crankshaft	1
2	63 340 01-S	Key, straight 6.3 mm	1



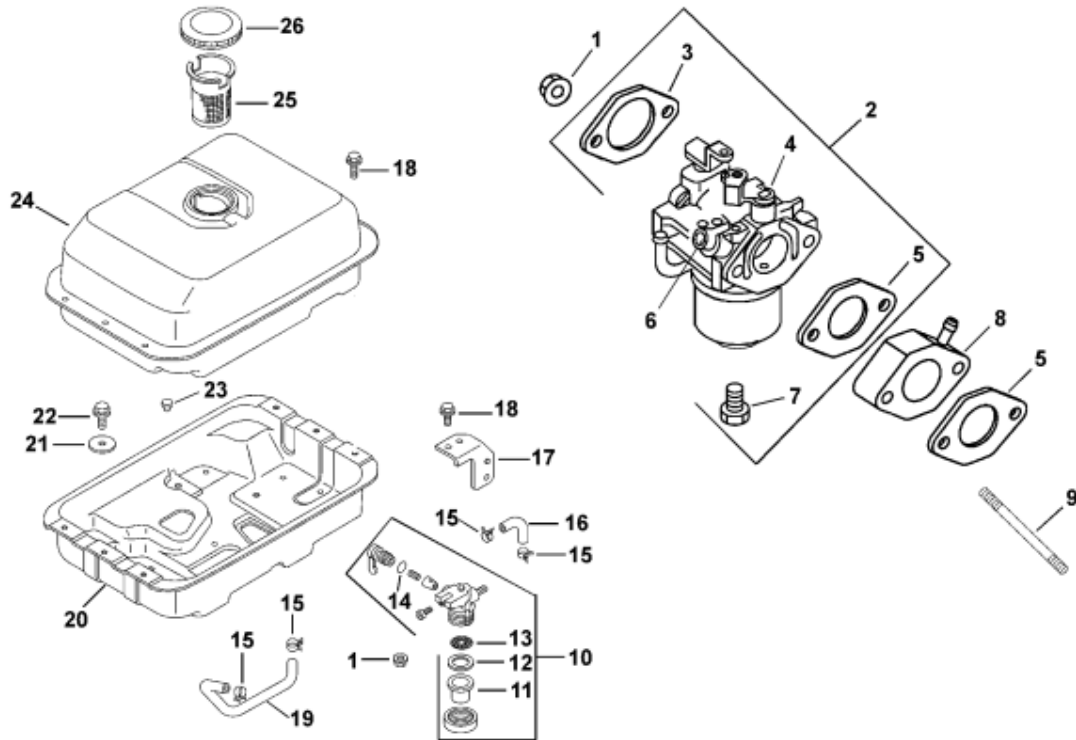
Ref #	Part	Description	Qty
1	63 086 47-S	Screw, pan head	1
2	63 237 13-S	Clamp	1
3	63 079 04-S	Linkage, choke	1
4	63 089 29-S	Spring, linkage	1
5	63 086 14-S	Screw, flange	2
6	63 079 03-S	Linkage, throttle	1
7	63 089 28-S	Spring, linkage	1
8	63 090 09-S	Lever, governor	1
9	63 211 02-S	Bolt	1
10	63 468 04-S	Washer	1
11	63 100 01-S	Nut, square	1
12	63 089 27-S	Spring, governor	1
13	63 154 04-S	Clip	1
14	63 090 10-S	Lever, throttle Includes 15,16	1
15	63 089 03-S	Spring, compression	1
16	63 086 03-S	Screw, pan head	1
17	63 086 46-S	Screw, hex.	1
18	63 237 08-S	Clamp, bowden	1
	63 113 23-S	Decal, choke/throttle NOT ILLUSTRATED.	1



ExhaustSystem 11-7-6

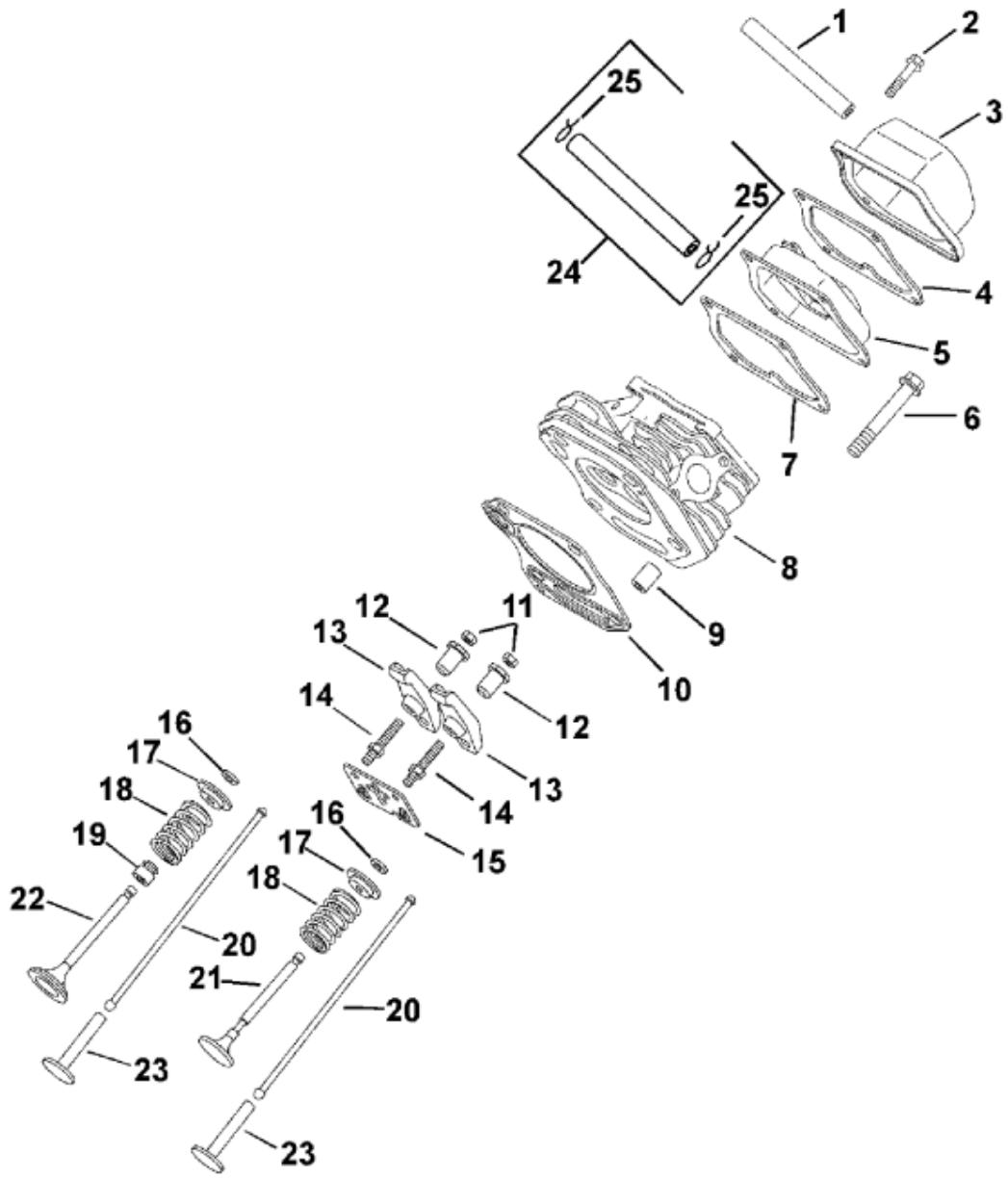
Ref #	Part	Description	Qty
1	63 755 16-S	Kit, mufflerguard	1
2	63 086 09-S	Screw, self-tapping	1
3	63 189 02-S	Arrestor, spark	1
4	63 100 03-S	Nut, exhaust	2
5	63 041 42-S	Gasket, exhaust	1
6	63 086 10-S	Screw, hex. flange	1
7	63 468 05-S	Washer, plate	1
8	63 072 01-S	Stud	2
9	63 068 03-S	Muffler	1

Fuel System



Fuel System

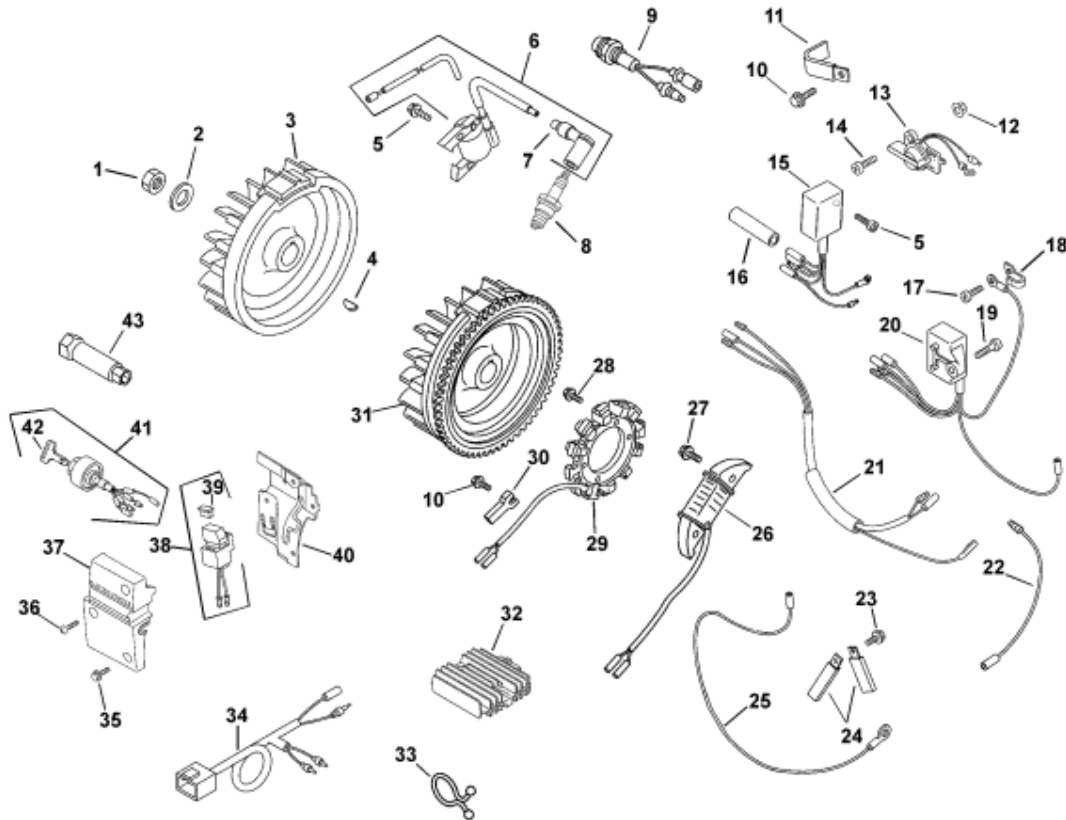
Ref #	Part	Description	Qty
1	63 100 15-S	Nut, air cleaner	1
2	63 853 10-S	Kit, carburetor w/gaskets <i>Includes 3-5 [qty. 1], 6,7</i>	1
3	63 041 39-S	Gasket, air cleaner base	1
4	63 053 10	Carburetor <i>For information only not available separately; Service with Kits 63 757 08-S & 63 757 10-S</i>	1
5	63 041 38-S	Gasket, carburetor	2
6	63 173 07-S	Cap, carburetor adjusting	1
7	63 086 63-S	Screw, float bowl	1
8	63 164 03-S	Manifold, intake	1
9	63 072 07-S	Stud, carburetor	2
10	63 462 05-S	Valve assembly, fuel shut-off <i>Includes 11-14</i>	1
11	63 050 03-S	Cup, filter	1
12	63 041 40-S	Gasket, fuel strainer	1
13	63 050 04-S	Filter, screen	1
14	63 153 07-S	O-Ring	1
15	63 154 07-S	Clip	4
16	63 353 02-S	Line, fuel	1
17	63 126 11-S	Bracket, fuel valve	1
18	63 086 14-S	Screw	6
19	63 353 03-S	Line, fuel	1
20	63 126 10-S	Bracket, tank	1
21	63 468 26-S	Washer	4
22	63 086 21-S	Screw	4
23	63 139 04-S	Plug	1
24	63 065 03-S	Tank, fuel	1
25	63 444 02-S	Strainer, fuel tank	1
26	63 173 03-S	Cap, fuel tank <i>Includes 63 032 23-S</i>	1
	63 032 23-S	Seal, fuel tank cap <i>NOT ILLUSTRATED.</i>	1
	63 113 06-S	Decal, caution <i>NOT ILLUSTRATED.</i>	1



Head/Valve/Breather 4-7-6

Ref #	Part	Description	Qty
1	63 326 05-S	Hose, breather	1
2	63 086 14-S	Screw	4
3	63 096 13-S	Cover, valve	1
4	63 041 36-S	Gasket, valvecover	1
5	63 033 03-S	Breatherassembly	1
6	63 086 01-S	Screw, cylinder head	4
7	63 041 37-S	Gasket, breather	1
8	63 318 05-S	Head, cylinder	1
9	63 380 03-S	Pin, locating	2
10	63 041 35-S	Gasket, cylinder head	1
11	63 100 12-S	Nut	2
12	63 599 01-S	Pivot, rockerarm	2
13	63 186 03-S	Arm, rocker	2
14	63 086 32-S	Screw, valveadjusting	2
15	63 316 03-S	Plate, guide	1
16	63 462 01-S	Valve, cotter	2
17	63 173 01-S	Cap, valvespring	2
18	63 089 25-S	Spring, valve	2
19	63 032 01-S	Seal, valvestem	1
20	63 411 03-S	Rod, push	2
21	63 016 04-S	Valve, exhaust	1
22	63 017 04-S	Valve, intake	1
23	63 351 01-S	Lifter, valve	2

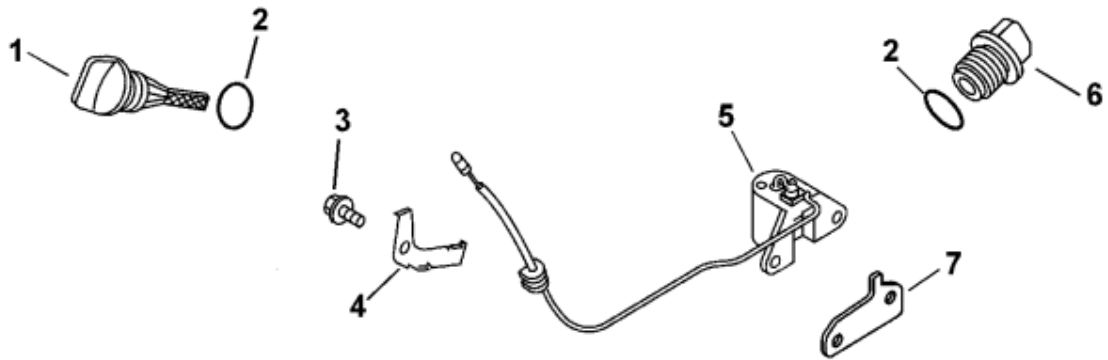
Ignition/Electrical



Ignition/Electrical

Ref #	Part	Description	Qty
1	63 100 20-S	Nut, flywheel	1
2	63 468 25-S	Washer, flywheel	1
3	63 025 08-S	Flywheel	1
4	63 340 02-S	Key, flywheel	1
5	63 086 13-S	Screw	3
6	63 755 12-S	Assembly, ignition module Includes 7	1
7	63 173 02-S	Cap, sparkplug	1
8	63 132 01-S	Plug, spark	1
9	63 352 01-S	Light, oil	1
10	63 086 14-S	Screw, flange	1
11	63 237 05-S	Clamp	1
12	63 100 05-S	Nut, stop switch	1
13	63 099 02-S	Switch, stop	1
14	63 086 15-S	Screw, stop switch	1
15	63 099 03-S	Warningunit, oil	1
16	63 431 02-S	Sleeve, wire	1
43	63 213 01-S	Wrench, sparkplug	1

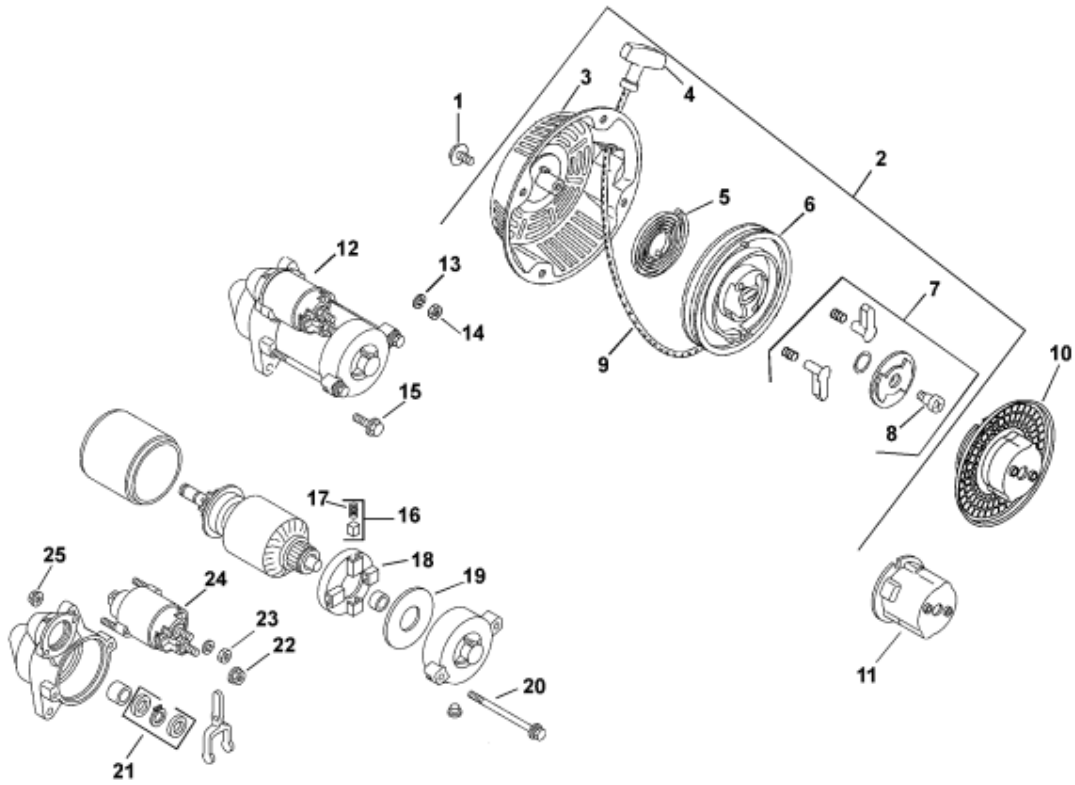
Lubrication 3-7-12



Lubrication 3-7-12

Ref #	Part	Description	Qty
1	63 139 12-S	Plug, oillevel	1
2	63 153 01-S	O-Ring, oilplug	2
3	63 086 14-S	Screw	3
4	63 237 01-S	Clamp	1
5	63 099 09-S	Switch, oilpressure	1
6	63 139 02-S	Plug, oil	1
7	63 112 01-S	Spacer, oilpressureswitch	1

StartingSystem



StartingSystem

Ref #	Part	Description	Qty
1	63 086 11-S	Screw, hex. flange	4
2	63 165 01-S	Starterassembly, retractable Includes 3-9	1
3	63 081 01-S	Housingassembly	1
4	63 166 01-S	Handle	1
5	63 089 07-S	Spring, starter	1
6	63 093 01-S	Pulley	1
7	63 757 03-S	Kit, pawlrepair Includes 8	1
8	63 086 18-S	Screw	1
9	63 160 01-S	Rope, starting	1
10	63 109 05-S	Cup, starter	1
	63 113 04-S	Decal, retractable starter NOT ILLUSTRATED.	1