

CH440 – 14 HP

MANUAL DE PARTES

KOHLER COMMAND PRO Cigüeñal Horizontal

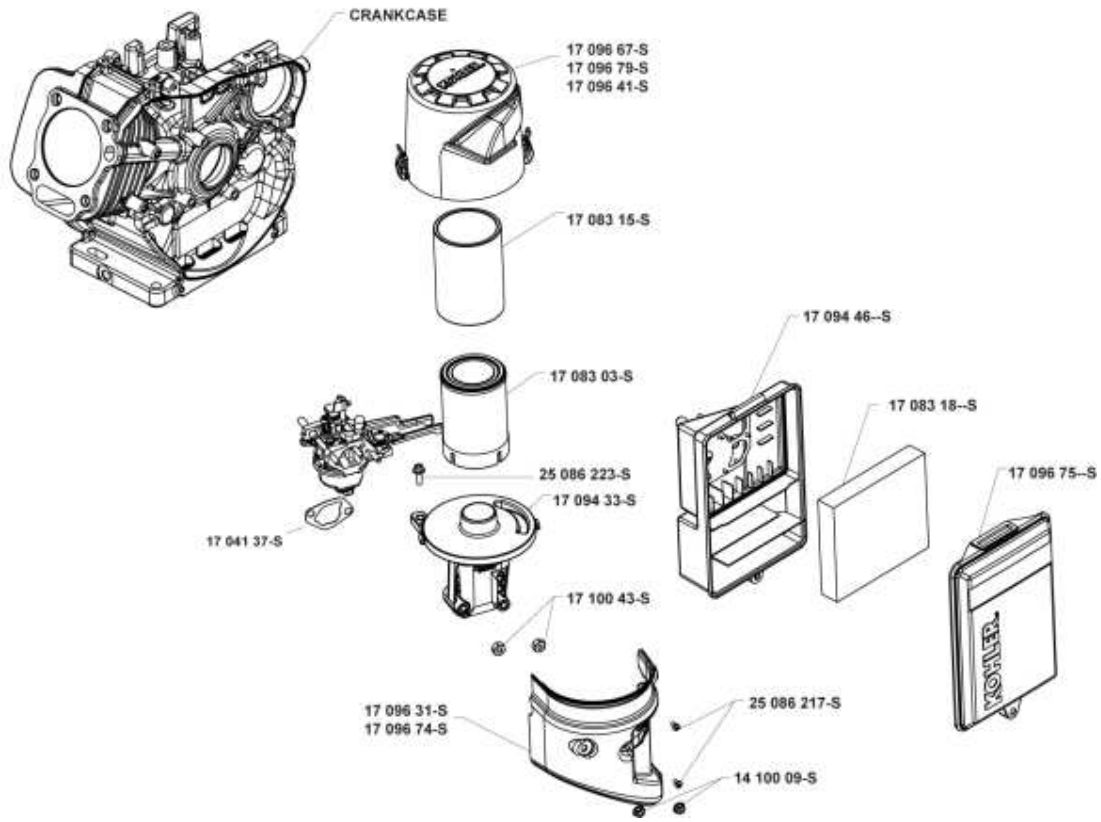
- CH440-0011** Velocidad Variable 1800 a 3750 RPM, flecha cilíndrica.
- CH440-0014** Velocidad Variable 1800 a 3750 RPM, flecha cilíndrica.
- CH440-0015** Velocidad Constante 3150 RPM, flecha cónica.
- CH440-0016** Velocidad Constante 3750 RPM, flecha cónica.



KOHLER.ENGINES

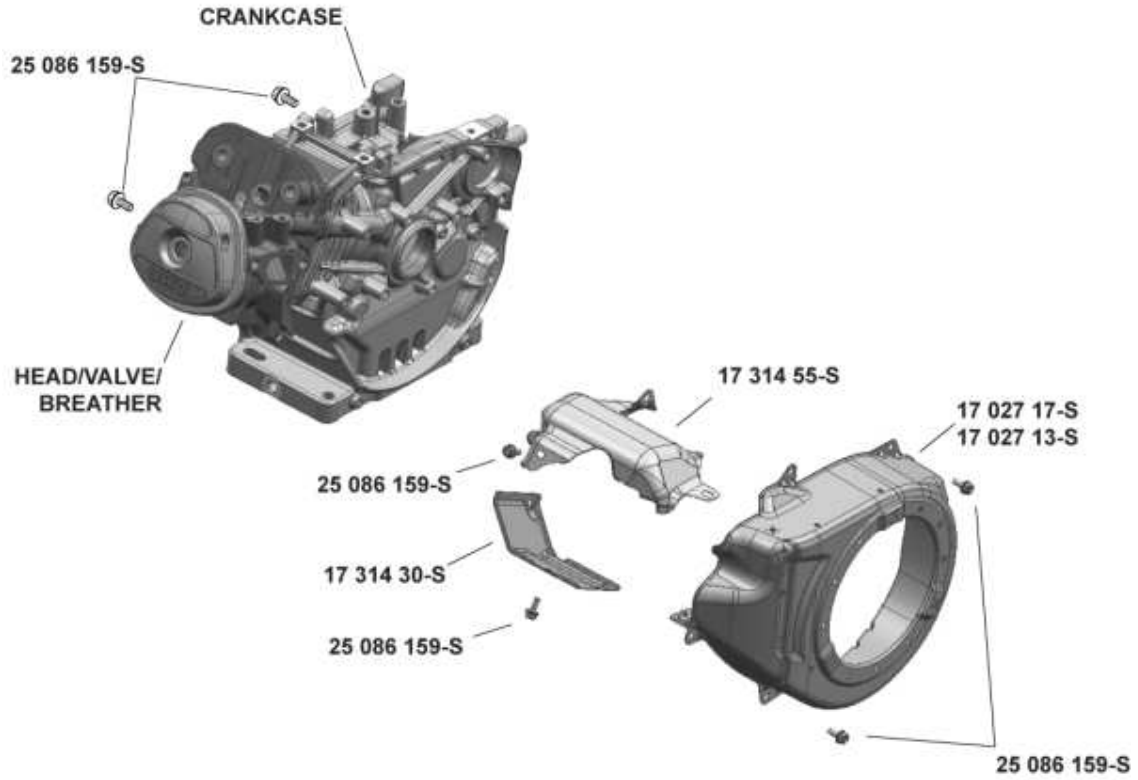
Air IntakeGroup

AIR INTAKE GROUP



Air IntakeGroup

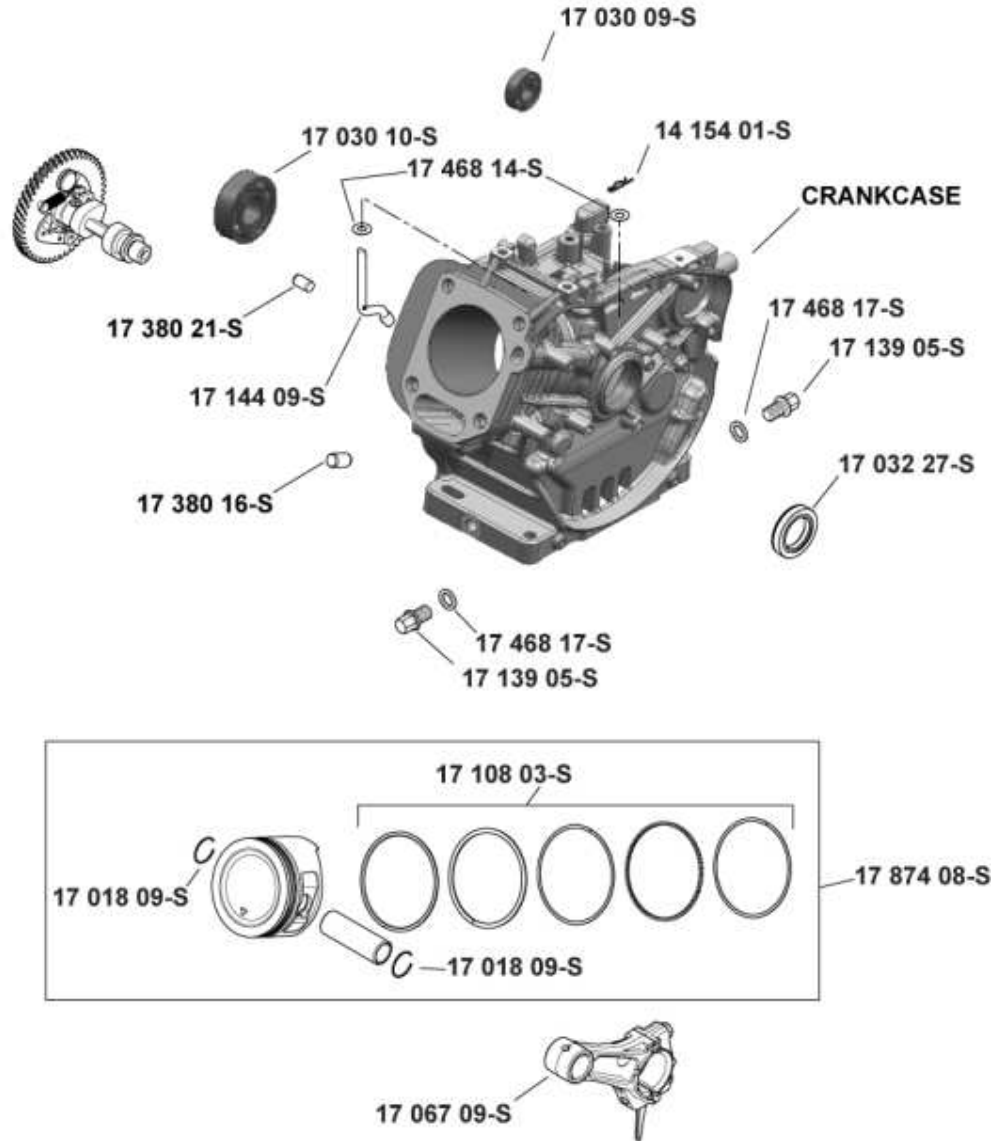
Ref #	Part	Description	Qty
	17 083 15-S	ELEMENT, PRE-CLEANER	1
	17 083 03-S	ELEMENT, AIR FILTER	1
	25 086 223-S	SCREW, M6 X18	2
	17 094 33-S	BASE ASSY, AIR CLEANER CYCLONIC	1
	17 100 43-S	NUT, HEX (M6 THREAD, M8 BODY)	2
	25 086 217-S	SCREW, COVR TO BLWR HOUSING	2
	14 100 09-S	NUT, HEX FLANGE LOCK (M6)	2
	17 096 79-S	COVER, AIR CLEANR ASSY	1
	17 041 37-S	GASKET, AIR CLEANER	1
	17 096 74-S	A/C COVER/ BASE CH440	1

BLOWER HOUSING & BAFFLES

BlowerHousingGroup

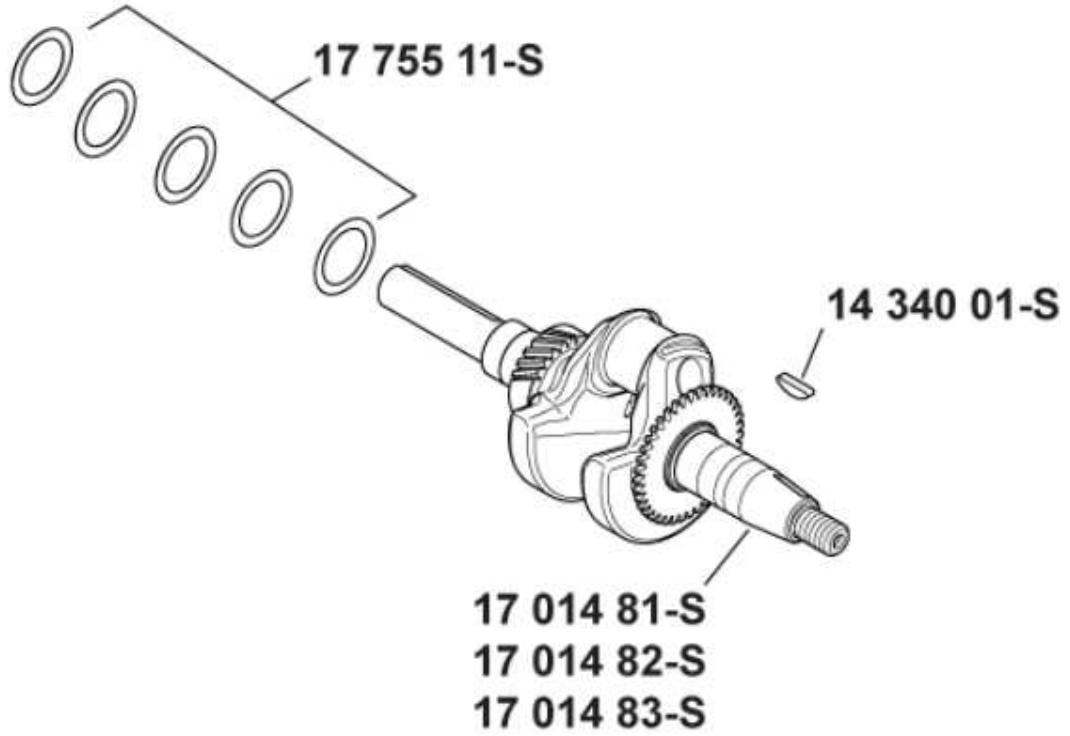
Ref #	Part	Description	Qty
	25 086 159-S	SCREW, HEX FLANGE (M6) USE 25 086 433-S	6
	17 314 30-S	SHIELD, CYL HEAD	1
	17 314 55-S	SHIELD, UPPER HEAT	1
	17 027 17-S	HOUSING, BLOWER ASSY-USE 17 027 57-S	1

CRANKCASE



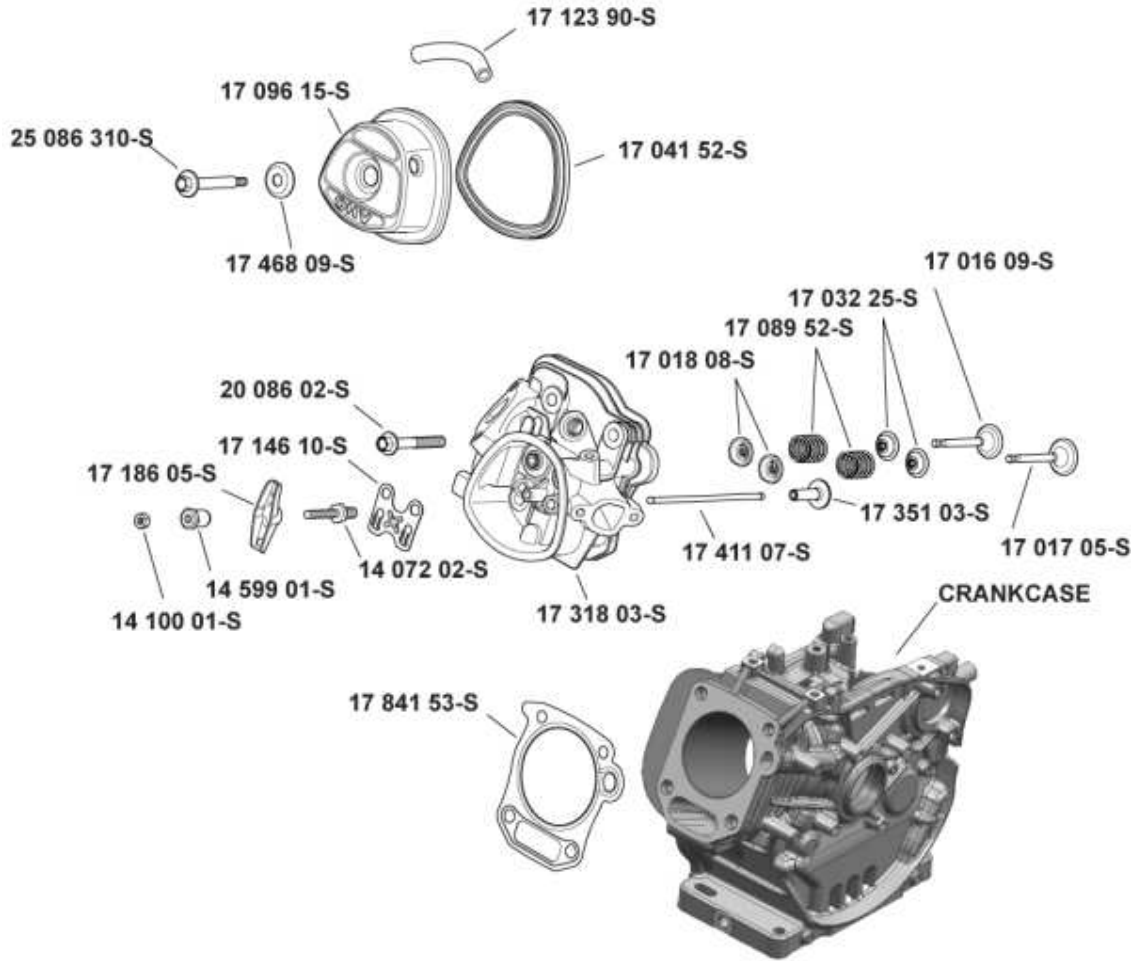
Ref #	Part	Description	Qty
	17 030 09-S	BEARING, BALANCE SHAFT	1
	14 154 01-S	CLIP, GOVERNOR SHAFT	1
	17 468 17-S	WASHER, DRAIN PLUG	2
	17 139 05-S	KIT, DRAIN PLUG	2
	17 032 27-S	SEAL, CRANKSHAFT	1
	17 380 16-S	PIN, DOWEL CYL HEAD	2
	17 144 09-S	SHAFT, GOVERNOR CROSS	1
	17 380 21-S	PIN, DOWEL	2
	17 030 10-S	BEARING, CRANKSHAFT	1
	17 468 14-S	WASHER, FLAT	2
	17 874 08-S	KIT, PISTON	1
	17 108 03-S	RING SET, PISTON	1
	17 018 09-S	RETAINER, PISTON	2
	17 067 09-S	ROD, CONNECTING ASSY	1

CRANKSHAFT



CrankshaftGroup

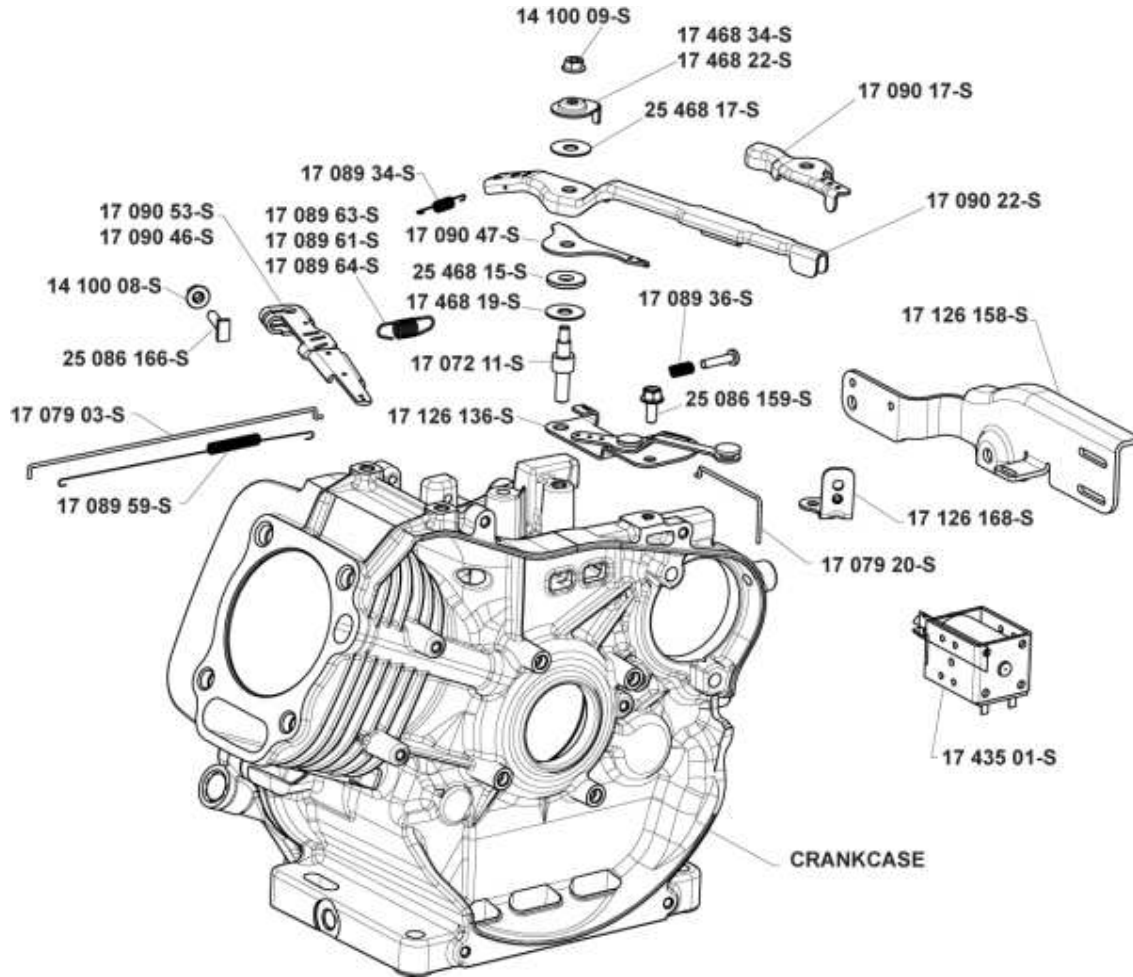
Ref #	Part	Description	Qty
	17 755 11-S	KIT, SHIM	1
	14 340 01-S	KEY, FLYWHEEL	1
	17 014 81-S	CRANKSHAFT ASSY	1

HEAD/VALVE/BREATHER

Cylinder Head/BreatherGroup

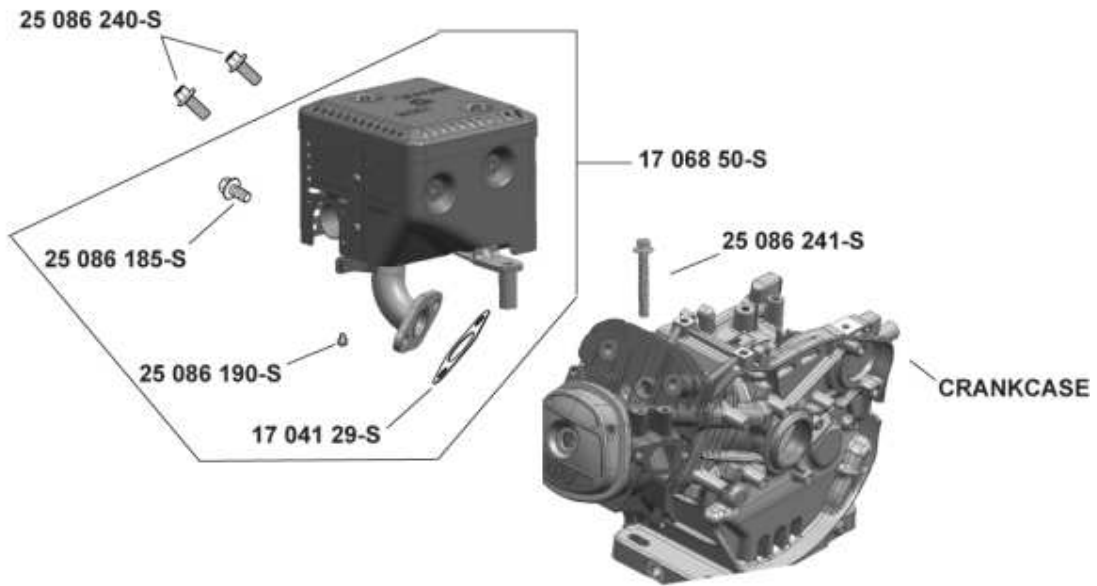
Ref #	Part	Description	Qty
	17 123 90-S	TUBE, BREATHER	1
	17 041 52-S	GASKET, VALVE COVER	1
	17 016 09-S	VALVE, EXHAUST	1
	17 032 25-S	SEAL, VALVE STEM	2
	17 089 52-S	SPRING, VALVE	2
	17 018 08-S	RETAINER, VALVE SPRING	2
	17 017 06-S	VALVE, INTAKE	1
	17 351 03-S	LIFTER, VALVE	2
	17 411 07-S	ROD, PUSH	2
	17 318 03-S	KIT, CYL HEAD	1
	17 841 53-S	KIT, HEAD GASKET - USE 17 841 34-S	1
	14 072 02-S	STUD, ROCKER ARM	2
	14 599 01-S	PIVOT, ROCKER ARM	2
	14 100 01-S	NUT, HEX JAM	2
	17 186 05-S	ARM, ROCKER	2
	17 146 10-S	PLATE, PUSHROD GUIDE	1
	20 086 02-S	SCREW, CYL HEAD (M10 X 80)	4
	17 468 09-S	WASHER, ASSY VALVE COVER	1
	25 086 310-S	SCREW, VALVE COVER SEAL ASSY	1
	17 096 15-S	KIT, VALVE COVER ASSY	1

EngineContolsGroup



EngineContolsGroup

Ref #	Part	Description	Qty
	14 100 09-S	NUT, HEX FLANGE LOCK (M6)	1
	17 468 22-S	WASHER, CONTROL LEVER - USE 17 468 34-S	1
	17 089 36-S	SPRING, COMPRESSION	1
	25 086 159-S	SCREW, HEX FLANGE (M6) USE 25 086 433-S	1
	17 072 11-S	STUD, CONTROL LEVER	1
	17 468 19-S	WASHER, FLAT	1
	25 468 17-S	WASHER, SPRING	1
	17 089 64-S	SPRING, GOVERNOR	1
	17 090 46-S	LEVER, GOVERNOR - USE 17 090 53-S	1
	14 100 08-S	NUT, HEX FLANGE (M6)	1
	25 086 166-S	SCREW, RECTANGLE HEAD (M6)	1
	17 079 03-S	LINKAGE, GOVERNOR	1
	17 089 59-S	SPRING, LINKAGE	1
	25 468 15-S	WASHER, NYLON CONTROL LEVER	1
	17 090 22-S	CONTROL LEVER ASSY	1
	17 126 136-S	BRACKET, CONTROL ASSY	1
	17 089 34-S	SPRING, THROTTLE RETURN	1

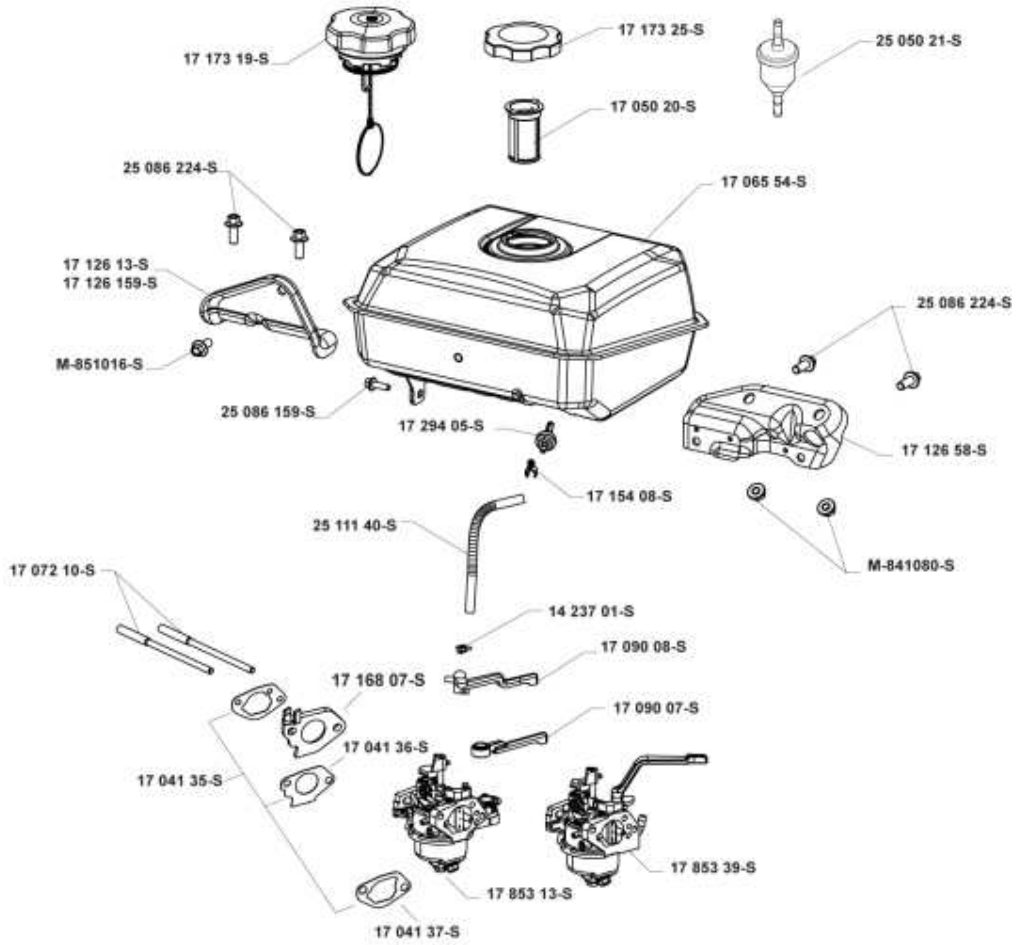
EXHAUST

ExhaustGroup

Ref #	Part	Description	Qty
	17 068 50-S	MUFFLER ASSY - USE 17 068 70-S	1
	25 086 241-S	SCREW, M8 X 55	1
	17 041 29-S	GASKET, MUFFLER	1
	25 086 190-S	SCREW, SPARK ARRESTOR	1
	25 086 185-S	SCREW, M6 X 8 HEX FLANGE HEAD	1
	25 086 240-S	SCREW, M10 X 25 (CKY)	2
	17 533 08-S	ARRESTOR ASSY, SPARK <u>NOT ILLUSTRATED</u>	1

Fuel SystemGroup

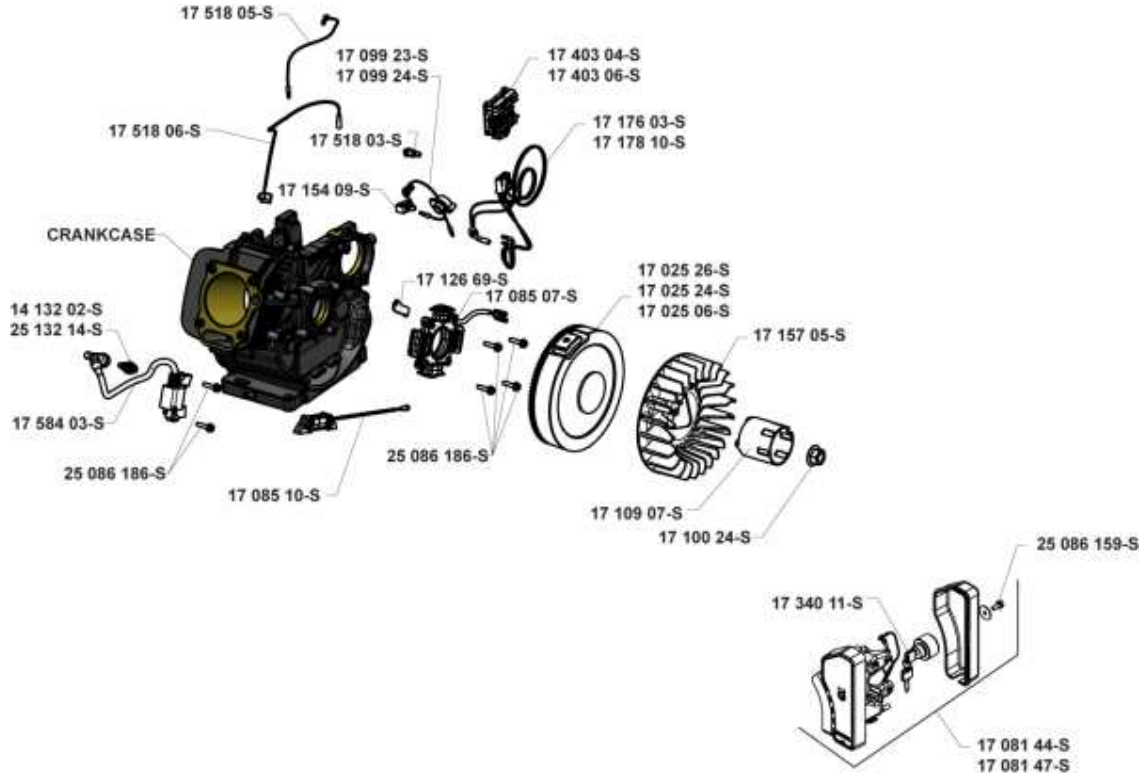
FUEL SYSTEM GROUP



Fuel SystemGroup

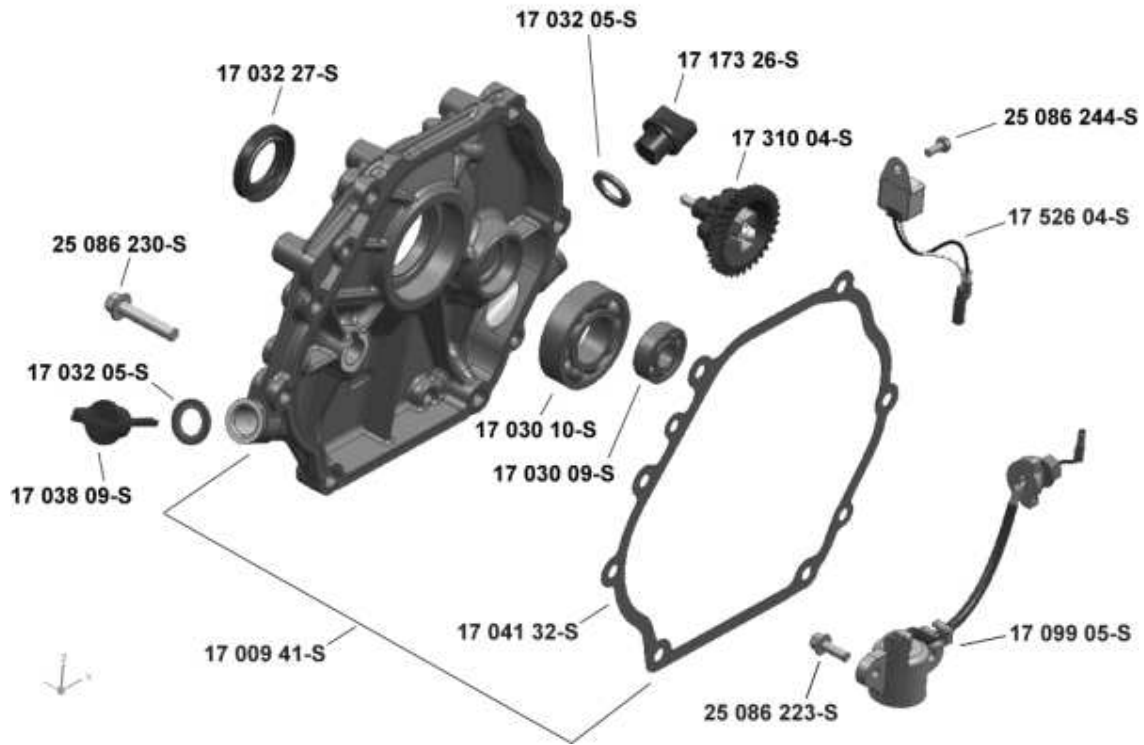
Ref #	Part	Description	Qty
	17 173 19-S	CAP, EVAPORATIVE EMISSIONS	1
	17 050 20-S	FUEL FILTER TANK	1
	17 065 54-S	TANK, FUEL ASSY	1
	25 086 224-S	SCREW, M8 X 20	4
	17 126 58-S	BRACKET, FUEL SUPPORT ASSY	1
	M-841080-S	NUT, FLG M8X1.25	2
	14 237 01-S	CLAMP, FUEL LINE	1
	17 154 08-S	CLIP, FUEL HOSE	1
	17 853 13-S	KIT, CARBURETOR	1
	25 111 40-S	LINE, FUEL (10"-CUT TO LENGTH)	1
	17 294 05-S	FITTING, FUEL ASSY	1
	17 072 10-S	STUD, CARBURETOR	2
	25 086 159-S	SCREW, HEX FLANGE (M6) USE 25 086 433-S	1
	M-851016-S	SCREW, FLG 8X1.25X16	1
	17 126 13-S	BRACKET, FUEL SUPPORT-USE 17 126 159-S	1
	17 090 07-S	LEVER, FUEL SHUTOFF NOT ILLUSTRATED	1
	17 090 08-S	LEVER, CHOKE NOT ILLUSTRATED	1
	17 168 07-S	KIT, INSULATOR	1
	17 041 35-S	KIT, GASKET INTAKE	1
	17 041 36-S	GASKET, CARB TO INSULATOR	1
	17 041 37-S	GASKET, AIR CLEANER	1

Ignition/ChargingGroup



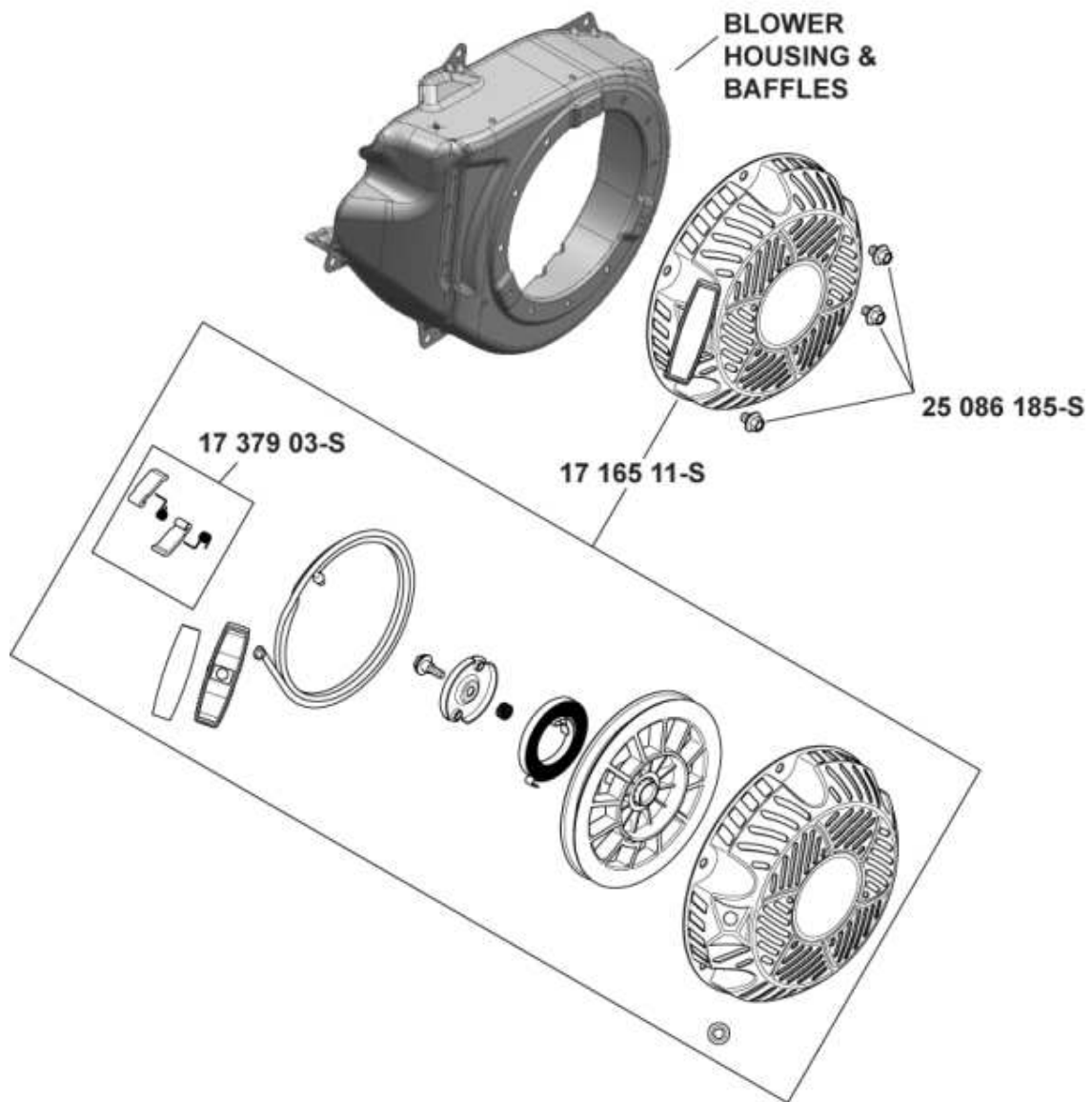
Ignition/ChargingGroup

Ref #	Part	Description	Qty
	17 099 06-S	SWITCH, ON/OFF - USE 17 099 24-S	1
	17 518 03-S	LEAD, OPTIONAL EQUIPMENT	1
	17 518 06-S	LEAD, GROUND TO KILL	1
	17 100 24-S	NUT, FLYWHEEL	1
	17 109 02-S	CUP, STARTER DRIVE - USE 17 109 07-S	1
	17 157 05-S	FAN, FLYWHEEL	1
	25 132 14-S	SPARK PLUG, RFI	1
	25 086 186-S	SCREW, M6 X 25	2
	17 584 03-S	MODULE, IGNITION	1
	17 025 06-S	FLYWHEEL, ASSY CAST IRON	1

OIL PAN/LUBRICATION

LubricationGroup

Ref #	Part	Description	Qty
	17 032 27-S	SEAL, CRANKSHAFT	1
	17 032 05-S	OIL SEAL - USE 17 038 08-S	2
	17 173 26-S	CAP ASSY, OIL FILL	1
	17 310 04-S	GOVERNOR ASSY	1
	25 086 244-S	SCREW, HEX/PHILLIPS M5	1
	17 526 04-S	CONTROL, OIL ALERT UNIT	1
	17 099 05-S	SWITCH, OIL SENSOR ASSY	1
	25 086 223-S	SCREW, M6 X18	1
	17 030 09-S	BEARING, BALANCE SHAFT	1
	17 030 10-S	BEARING, CRANKSHAFT	1
	17 041 32-S	GASKET, CLOSURE PLATE	1
	17 009 41-S	KIT, CLOSURE PLATE ASSY	1
	17 038 09-S	DIPSTICK ASSY - (#1703808S)	1
	25 086 230-S	SCREW, CLOSURE PLATE (CKY)	7

STARTING SYSTEM

Ref #	Part	Description	Qty
	25 086 185-S	SCREW, M6 X 8 HEX FLANGE HEAD	3
	17 165 11-S	RETRACTABLE STARTER ASSY	1
	17 379 03-S	KIT, PAWL REPAIR	1